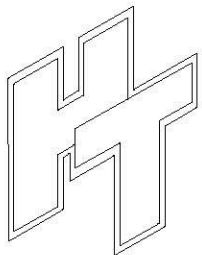
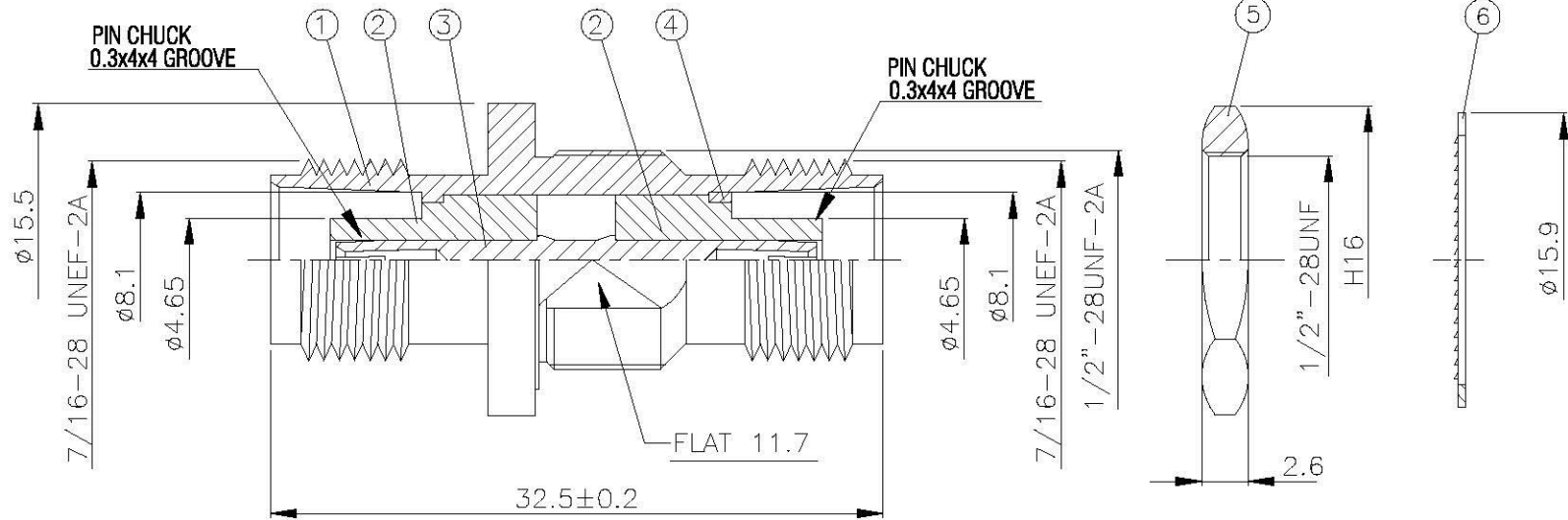
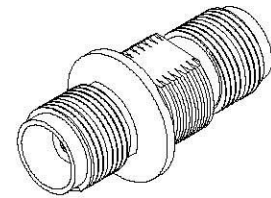


| NO | DESCRIPTION  | MATERIAL | Q'TY | FINISH |
|----|--------------|----------|------|--------|
| 1  | BODY 1       | BRASS    | 1    | NICKEL |
| 2  | INSULATION 1 | DELRIN   | 2    | DELRIN |
| 3  | PIN          | BRASS    | 1    | GOLD   |
| 4  | WASHER       | BRASS    | 1    | NICKEL |
| 5  | NUT          | BRASS    | 1    | NICKEL |
| 6  | WASHER       | BRASS    | 1    | NICKEL |



**All Connectors**

www.allconnectors.de info@allconnectors.de  
Tel: +49 711 7003593 Fax: +49 711 7003591  
Rüdiger-Hellmuthstr. 10a 70372 Stuttgart, Germany Kettler-Industrie, GbR

TITLE **TNC FEMALE-FEMALE  
BULKHEAD ADAPTOR**

PART NO. **TNC-13-DGN**

DRAWING NO. **TNC 13 DGN**

DRAWN **MARY** DATE **96.07.12**

CHECKED **蘇志欣** DATE **98.11.20**

Q.A. **蘇姿潔** DATE

APPROVAL **徐燦霖** DATE

REVISION DATE

DIMENSIONS ARE IN MILLIMETERS

UNLESS OTHERWISE SPECIFIED  
TOLERANCES

0.5-5 =  $\pm 0.2$  120-315 =  $\pm 1$   
5-30 =  $\pm 0.4$  315-1000 =  $\pm 1.6$   
30-120 =  $\pm 0.6$  1000-2000 =  $\pm 2.4$

SCALE **4:1** SIZE **A**

REVISION

DESCRIPTION ENGINEER

D

C

B

A

D

C

B

A

4

3

2

1