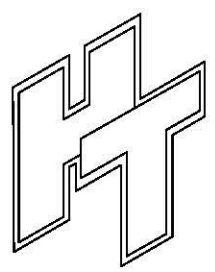
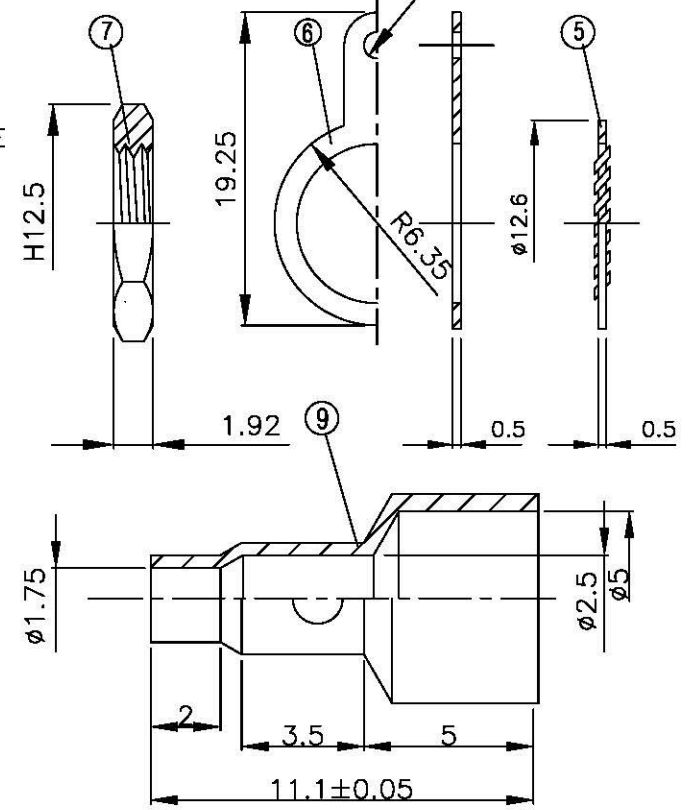
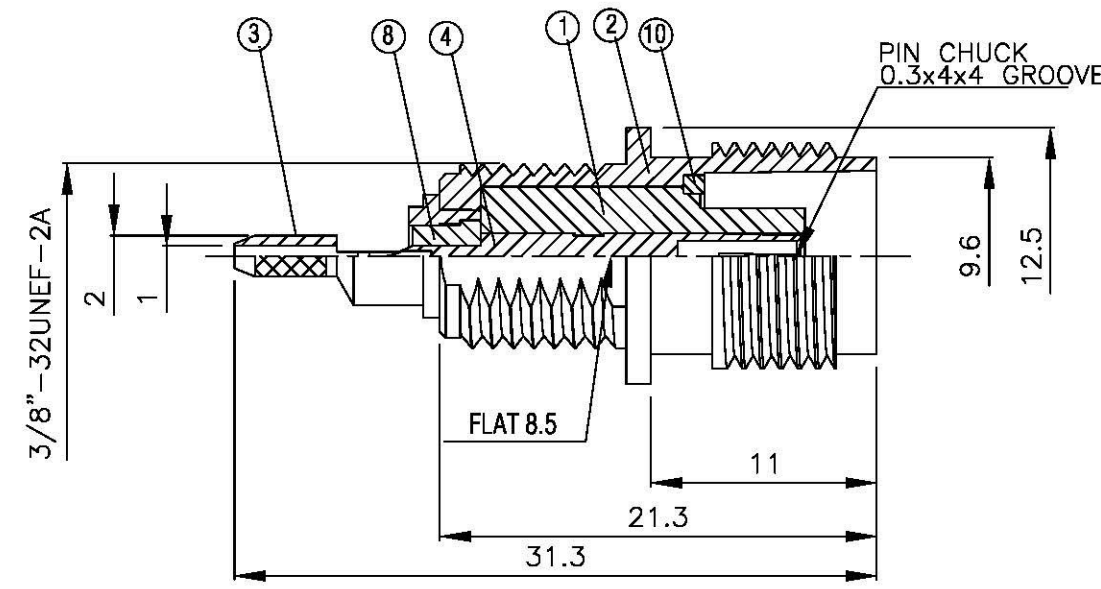
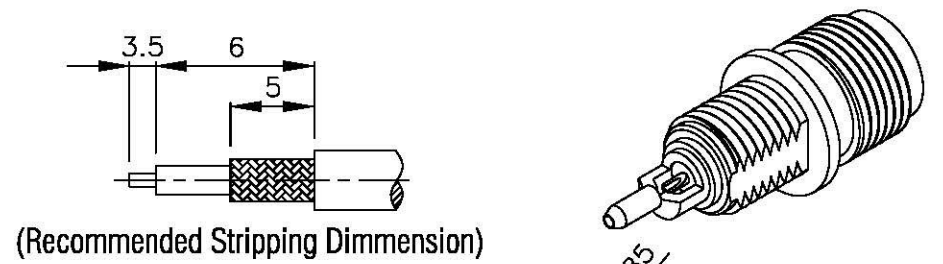


NO	DESCRIPTION	MATERIAL	Q'TY	FINISH	REMARK
1	INSULATION	TEFLON	1	TEFLON	I-0591T
2	BODY 1	BRASS	1	NICKEL	B-TNC1251-N
3	BODY 2	BRASS	1	NICKEL	B-SMB0602-N
4	PIN	BRASS	1	GOLD	P-TNC0892-G
5	WASHER	BRASS	1	NICKEL	W-0003-N
6	WASHER	BRASS	1	NICKEL	W-0021-N
7	NUT	BRASS	1	NICKEL	N-0010-N
8	INSULATION	DELRIN	1	DELRIN	I-0280T
9	RING	BRASS	1	NICKEL	R-0059-N
10	WASHER	BRASS	1	NICKEL	W-0007-N



Allconnectors
 www.allconnectors.de
 info@allconnectors.de
 TEL: 0049 711 709500
 Kollmannstr. 22
 40880 Ratingen, Germany

TITLE TNC FEMALE BULKHEAD RECEPTACLE CRIMP FOR RG178/U
 PART NO. TNC-11M-TGN
 DRAWING NO. TNC-11M-TGN

DRAWN MARY DATE 96.12.24
 CHECKED 黄巧君 DATE 96.12.24
 Q.A. 蘇姿潔 DATE
 APPROVAL 徐燦霖 DATE
 REVISION DATE

DIMENSIONS ARE IN MILLIMETERS
 UNLESS OTHERWISE SPECIFIED TOLERANCE
 0.5-5=±0.2 120-315=±1
 5-30=±0.4 315-1000=±1.6
 30-120±0.6 1000-2000=±2.4
 SCALE 4:1 SIZE A

REVISION	
DESCRIPTION	ENGINEER