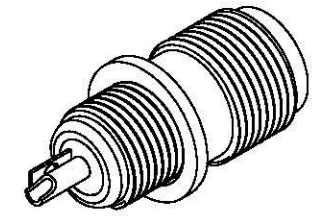


NO	DESCRIPTION	MATERIAL	Q'TY	FINISH	REMARK
1	PIN	BRASS	1	GOLD	P-TNC0076-G
2	INSULATION	TEFLON	1	TEFLON	I-0001T
3	BODY	BRASS	1	NICKEL	B-TNC0201-N
4	WASHER	BRASS	1	NICKEL	W-0003-N
5	WASHER	BRASS	1	NICKEL	W-0021-N
6	NUT	BRASS	1	NICKEL	N-0010-N



D

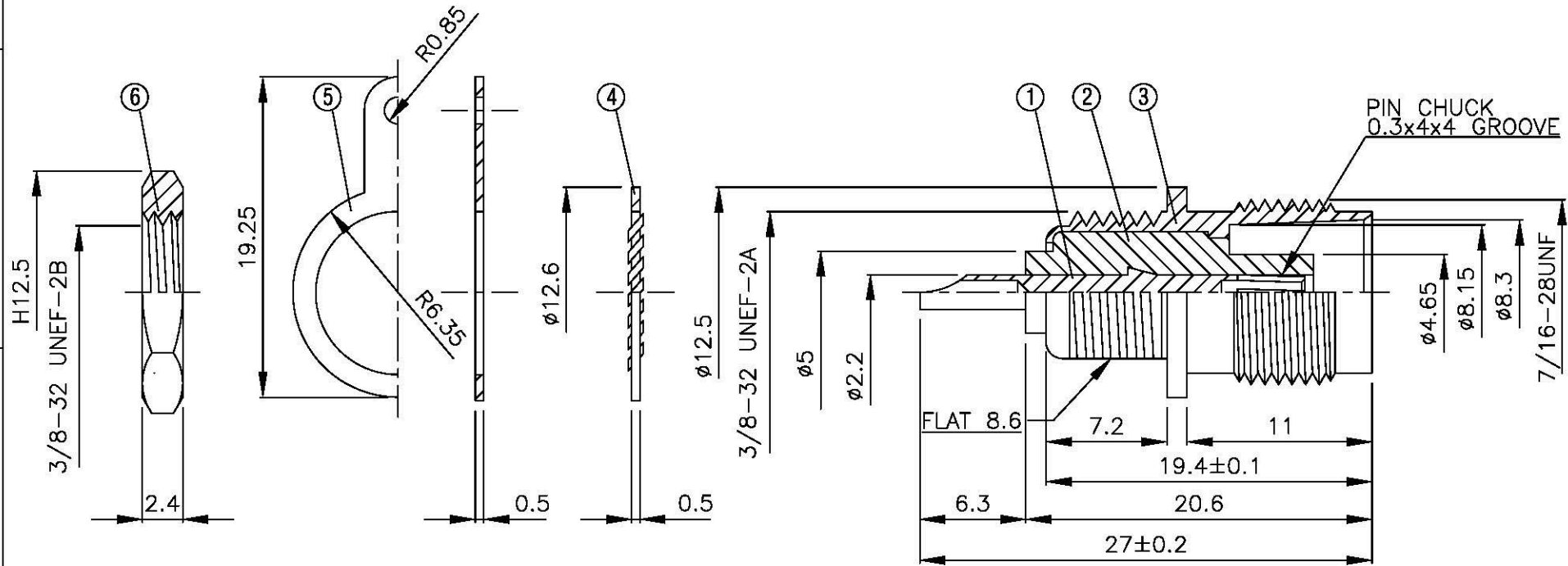
D

C

C

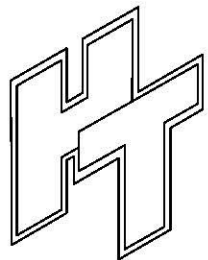
B

B



A

A



All Connectors
 www.allconnectors.de
 info@allconnectors.de
 Tel.: 0049 713 700634
 70794 Filberstadt - Germany
 Fax: 0049 713 700634
 Reilberstr. 25

TITLE TNC BULKHEAD FEMALE RECEPTACLE

PART NO. TNC-11-TGN

DRAWING NO. TNC 11 TGN

DRAWN MARY DATE 96.07.11

CHECKED 蘇志欣 DATE

Q.A. 蘇姿潔 DATE

APPROVAL 徐燦霖 DATE

REVISION DATE

DIMENSIONS ARE IN MILLIMETERS

UNLESS OTHERWISE SPECIFIED TOLERANCE

0.5-5 = ± 0.2 120-315 = ± 1

5-30 = ± 0.4 315-1000 = ± 1.6

30-120 = ± 0.6 1000-2000 = ± 2.4

SCALE 4:1 SIZE A

REVISION

DESCRIPTION ENGINEER

4

3

2

1