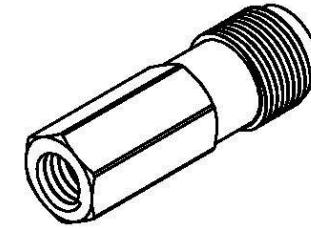
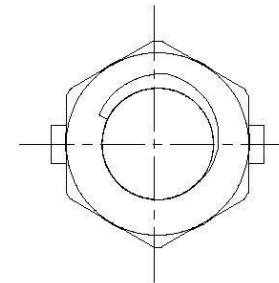
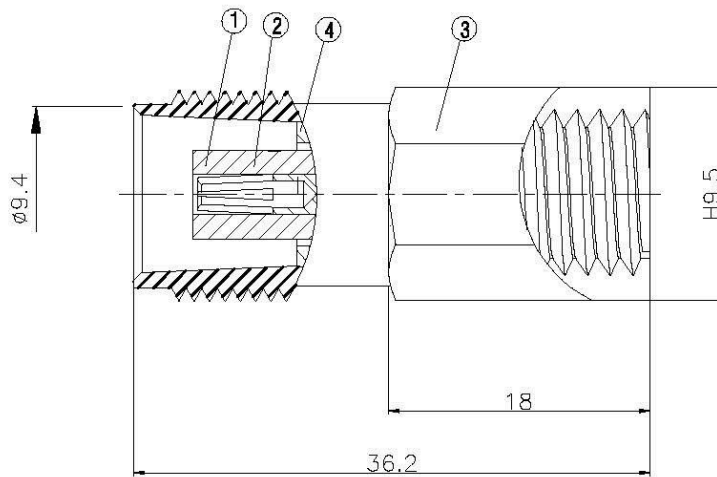


NO	DESCRIPTION	MATERIAL	Q'TY	FINISH
1	PIN	BRASS	1	GOLD
2	INSULATION	TEFLON	1	TEFLON
3	BODY 1	BRASS	1	NICKEL
4	WASHER	BRASS	1	NICKEL

D

C

B

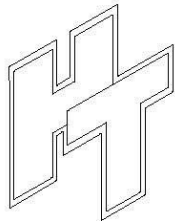


D

C

B

A



All Connectors

www.allconnectors.de
Tel: 0049 711 7009500
D 7044 Hirschfeld, Germany

info@allconnectors.de
Fax: 0049 711 7009501
Kettmeistr. 12

TITLE FEMALE TWIST ON
FOR RG-58/U

PART NO. TNC-10F-TGN

DRAWING NO. TNC 10F TGN

DRAWN MARY

CHECKED 蘇志欣

Q.A. 蘇姿潔

APPROVAL 徐燦霖

REVISION

DATE 98.10.31

DATE

DATE

DATE

DATE

DIMENSIONS ARE IN MILLIMETERS

UNLESS OTHERWISE SPECIFIED
TOLERANCE

0.5-5=±0.2 120-315=±1

5-30=±0.4 315-1000=±1.6

30-120±0.6 1000-2000=±2.4

SCALE 4:1 SIZE A

REVISION

DESCRIPTION ENGINEER

4

3

2

1

A