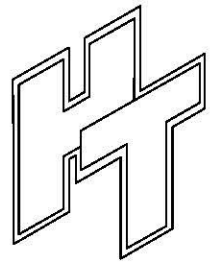
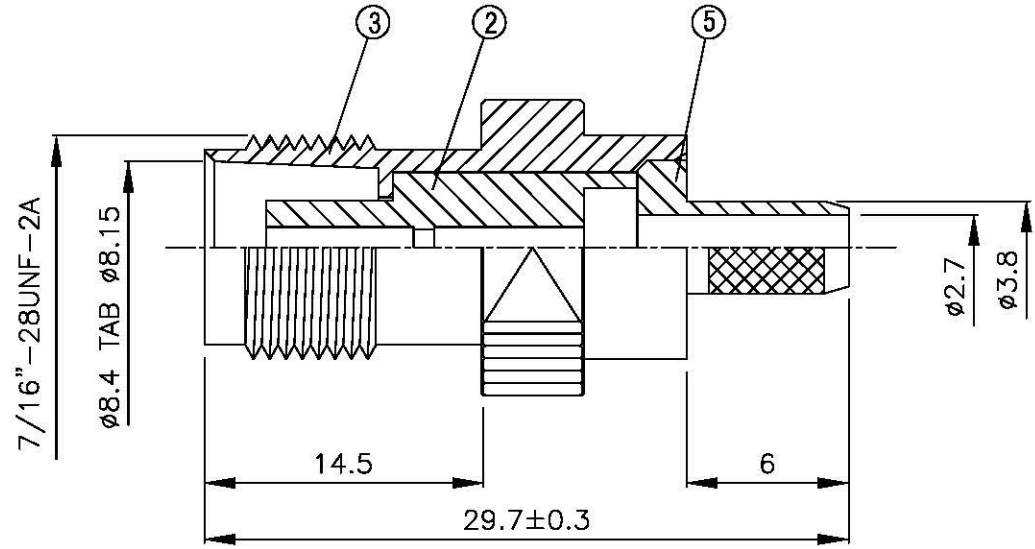
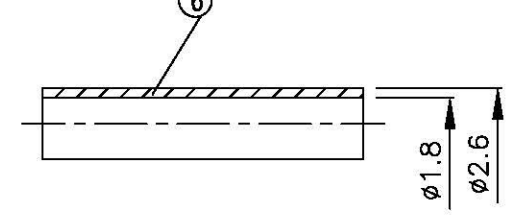
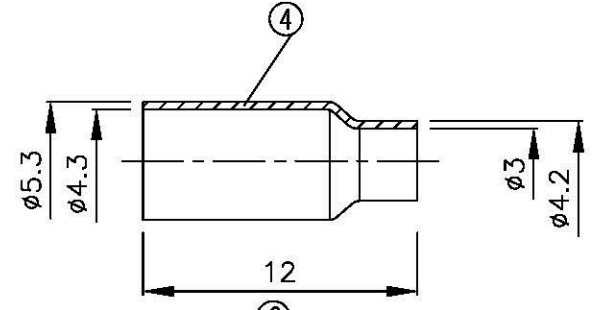
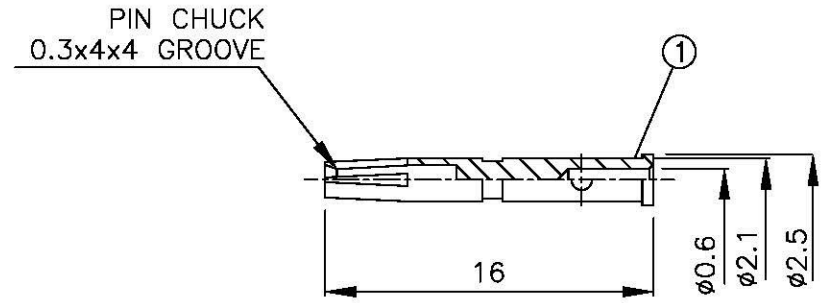
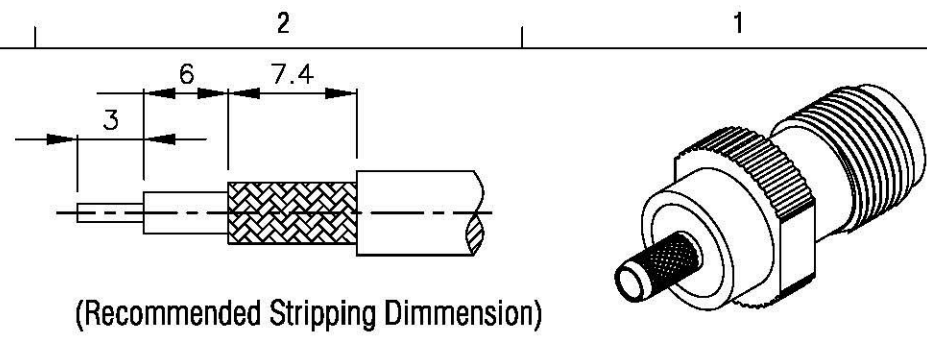


NO	DESCRIPTION	MATERIAL	Q'TY	FINISH	REMARK
1	PIN	BRASS	1	GOLD	P-TNC0392-G
2	INSULATION	DELRIN	1	DELRIN	I-0044D
3	BODY 1	BRASS	1	NICKEL	B-TNC0021-N
4	RING	BRASS	1	NICKEL	R-0011-N
5	BODY 2	BRASS	1	NICKEL	B-TNC0600-N
6	INSULATION	DELRIN	1	DELRIN	I-0187D



All Connectors
 www.allconnectors.de
 info@allconnectors.de
 Tel.: 0049 711 7009583
 Fax: 0049 711 7009504
 Kottbusstraße 25
 50829 Köln, Germany

TITLE: TNC FEMALE CRIMP FOR RG-174/U
 PART NO.: TNC-08L-DGN
 DRAWING NO.: TNC 08L DGN

DRAWN MARY DATE 96.05.04
 CHECKED 黄巧君 DATE
 Q.A. 蘇姿潔 DATE
 APPROVAL 徐燦霖 DATE
 REVISION DATE

DIMENSIONS ARE IN MILLIMETERS
 UNLESS OTHERWISE SPECIFIED TOLERANCE
 0.5-5=±0.2 120-315=±1
 5-30=±0.4 315-1000=±1.6
 30-120±0.6 1000-2000=±2.4
 SCALE 4:1 SIZE A

REVISION	
DESCRIPTION	ENGINEER