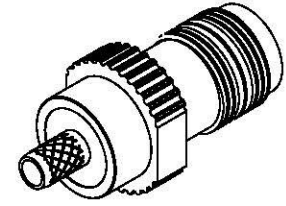
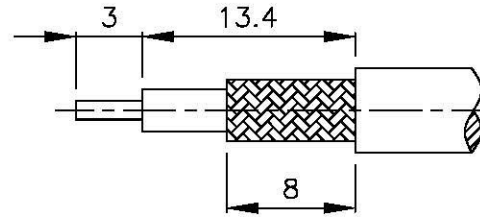
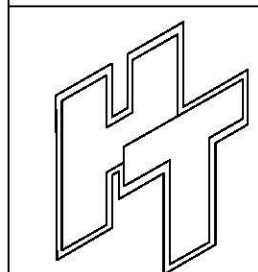
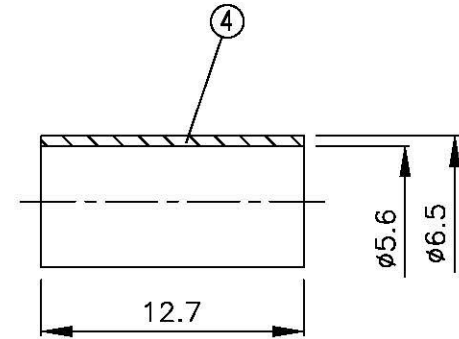
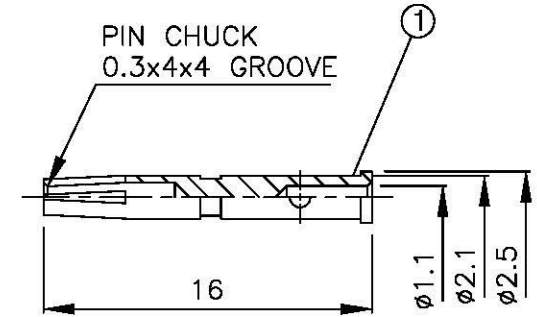
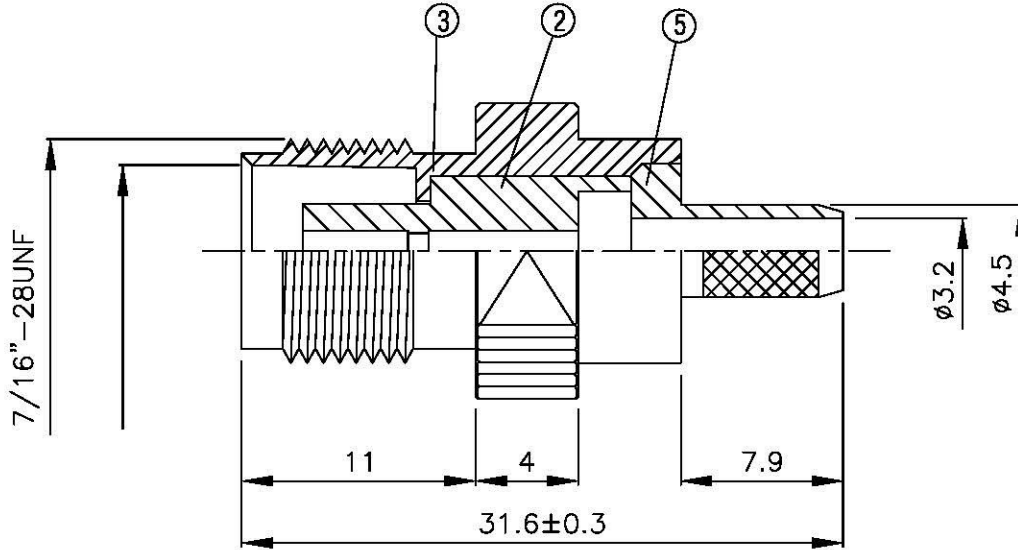


NO	DESCRIPTION	MATERIAL	Q'TY	FINISH	REMARK
1	PIN	BRASS	1	GOLD	P-TNC0011-G
2	INSULATION	DELTRIN	1	DELTRIN	I-0044D
3	BODY 1	BRASS	1	NICKEL	B-TNC0021-N
4	RING	BRASS	1	NICKEL	R-0007-N
5	BODY 2	BRASS	1	NICKEL	B-TNC0013-N



(Recommended Stripping Dimension)



All Connectors
 www.allconnectors.de info@allconnectors.de
 Tel.: 0049 711 4089508 Fax: 0049 711 4089504
 70724 Filderstadt - Germany Reilwernerstr. 25

TITLE **TNC FEMALE CRIMP FOR RG-58/U**

PART NO. **TNC-08FV1-DGN**

DRAWING NO. **TNC-08FV1-DGN**

DRAWN **MARY** DATE **88.01.15**

CHECKED **黃巧君** DATE **88.01.15**

Q.A. **蘇姿潔** DATE

APPROVAL **徐燦霖** DATE

REVISION DATE

DIMENSIONS ARE IN MILLIMETERS

UNLESS OTHERWISE SPECIFIED TOLERANCE

0.5-5 = ±0.2	120-315 = ±1
5-30 = ±0.4	315-1000 = ±1.6
30-120 ±0.6	1000-2000 = ±2.4

SCALE **4:1** SIZE **A**

REVISION	
DESCRIPTION	ENGINEER