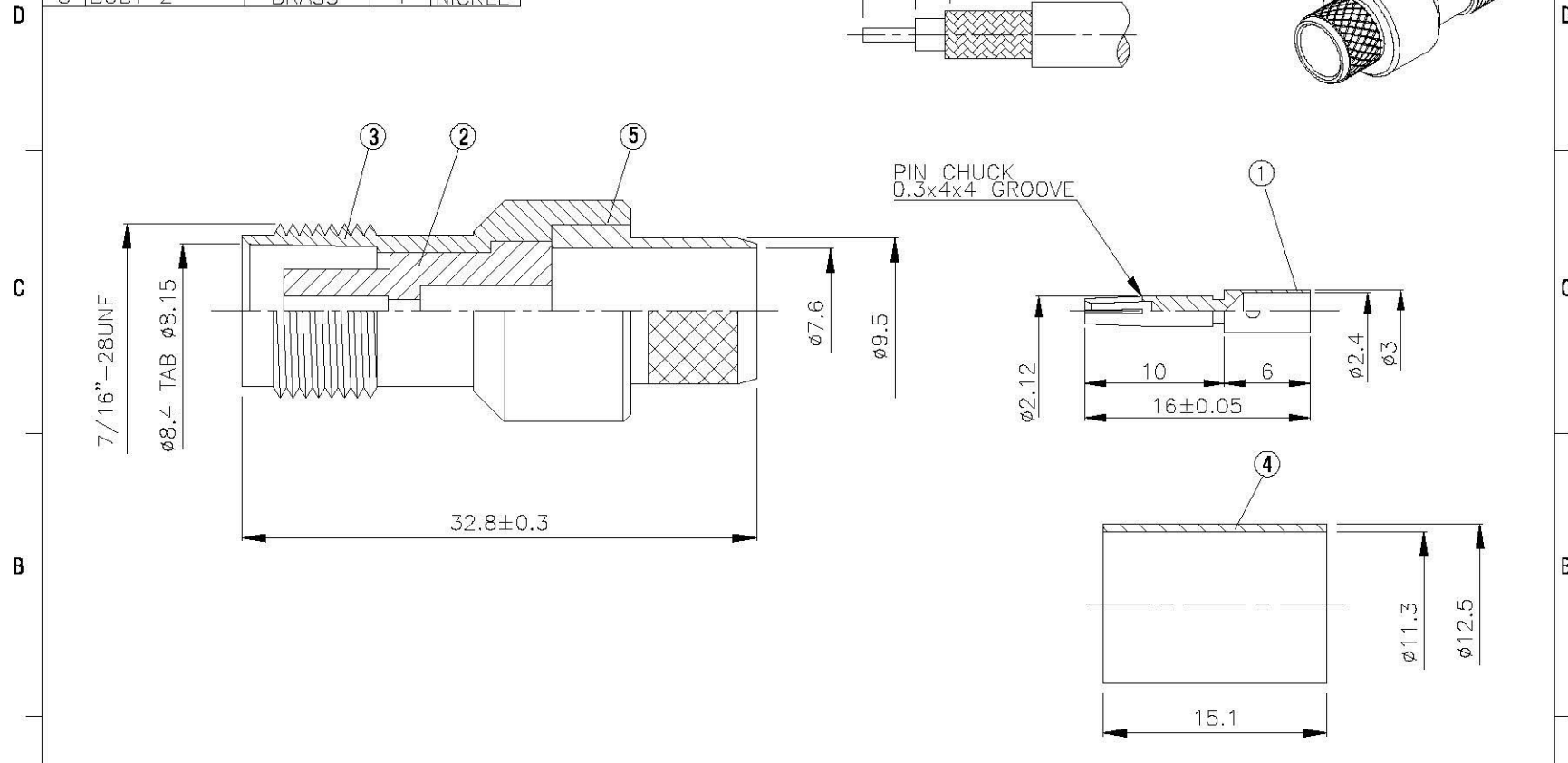


NO	DESCRIPTION	MATERIAL	Q'TY	FINISH
1	PIN	BRASS	1	GOLD
2	INSULATION	TEFLON	1	TEFLON
3	BODY 1	BRASS	1	NICKEL
4	RING	BRASS	1	NICKEL
5	BODY 2	BRASS	1	NICKEL



		DRAWN MARY	DATE 97.06.06	DIMENSIONS ARE IN MILLIMETERS			REVISION		
	<small>www.allconnectors.de Tel.: 0049 711 7005993 70764 Fildefeldstr. 6a/wamy</small>	<small>Info@allconnectors.de Fax: 0049 711 7005901 Kottelmerstr. 25</small>	CHECKED 蘇志欣						DATE 97.06.06
	TITLE TNC FEMALE CRIMP FOR RG-214 RG-9		Q.A. 蘇姿潔	DATE					
	PART NO. TNC-08C-TGN		APPROVAL 徐慶霖	DATE					
	DRAWING NO. TNC 08C TGN		REVISION	DATE	SCALE 4:1	SIZE A			