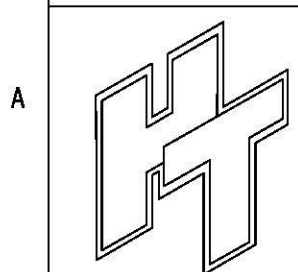
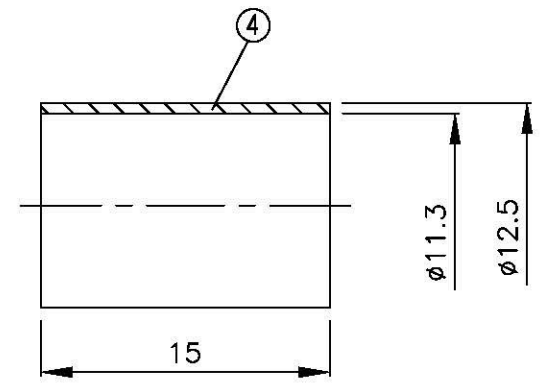
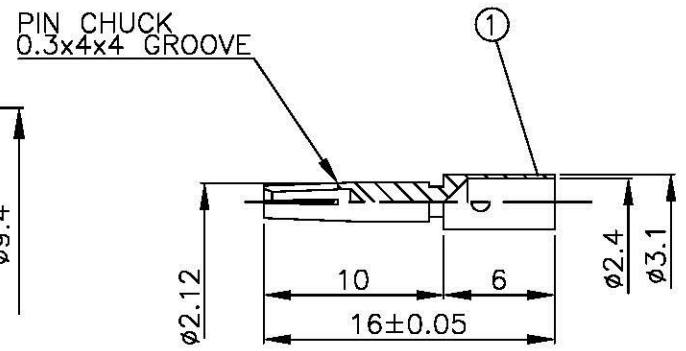
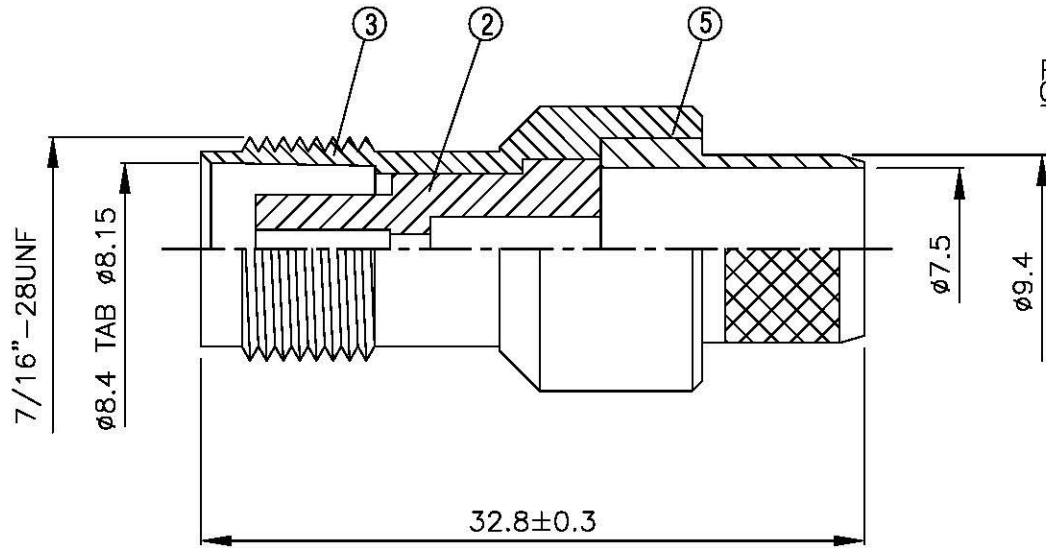
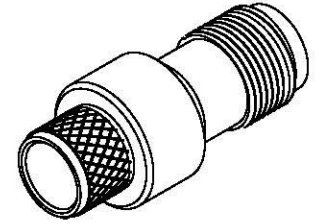
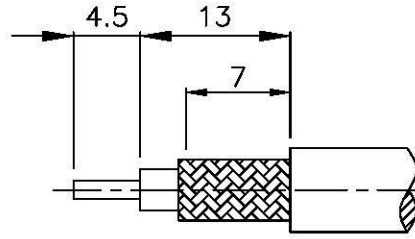


NO	DESCRIPTION	MATERIAL	Q'TY	FINISH	REMARK
1	PIN	BRASS	1	GOLD	P-TNC0110-G
2	INSULATION	TEFLON	1	TEFLON	I-0021T
3	BODY 1	BRASS	1	NICKEL	B-TNC0185-N
4	RING	BRASS	1	NICKEL	R-0010-N
5	BODY 2	BRASS	1	NICKEL	B-N0050-N



All Connectors
 www.allconnectors.de info@allconnectors.de
 Tel.: 0049 7141 700503 Fax: 0049 7141 700504
 70724 Filderstadt - Germany kettenstr. 25

TITLE TNC FEMALE CRIMP FOR RG 213/U

PART NO. TNC-08B-TGN

DRAWING NO. TNC 08B TGN

DRAWN MARY DATE 88.2.11

CHECKED 黃巧君 DATE 96.02.07

Q.A. 蘇姿潔 DATE

APPROVAL 徐燦霖 DATE

REVISION DATE

DIMENSIONS ARE IN MILLIMETERS

UNLESS OTHERWISE SPECIFIED TOLERANCE

0.5-5=±0.2	120-315=±1
5-30=±0.4	315-1000=±1.6
30-120±0.6	1000-2000=±2.4

SCALE 4:1 SIZE A

REVISION	
DESCRIPTION	ENGINEER