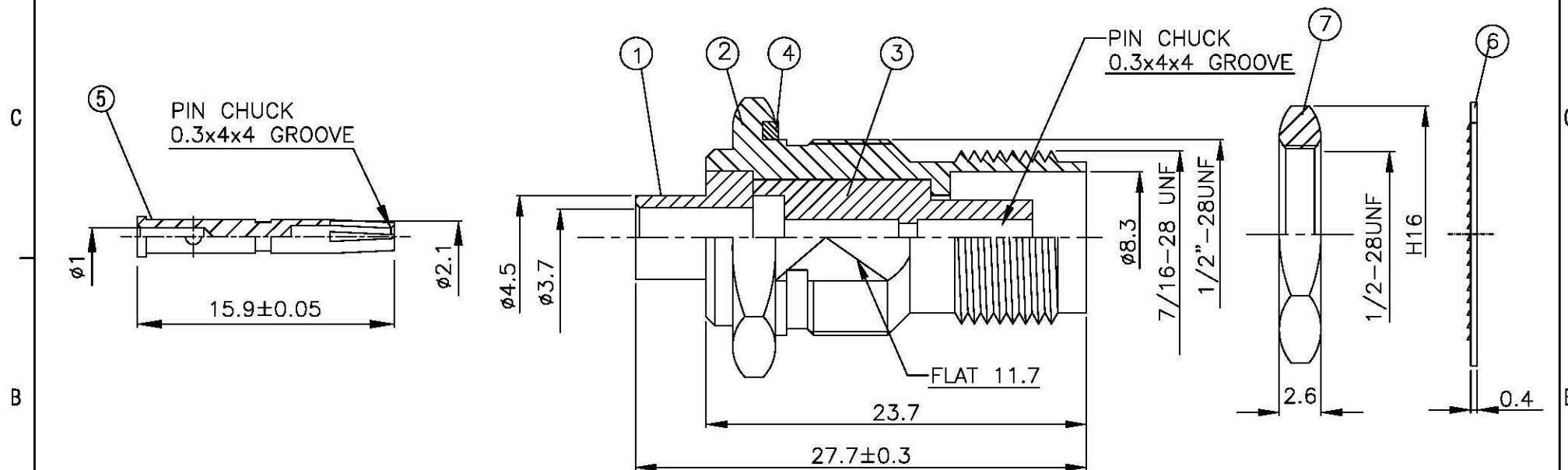
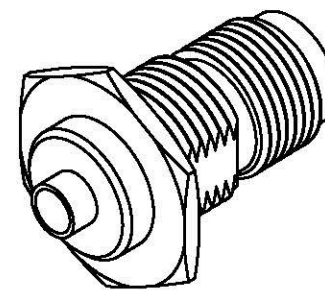


NO	DESCRIPTION	MATERIAL	Q'TY	FINISH
1	BODY 1	BRASS	1	NICKEL
2	BODY 2	BRASS	1	NICKEL
3	INSULATION	TEFLON	1	TEFLON
4	GASKET	RUBBER	1	RUBBER
5	PIN	BRASS	1	GOLD
6	WASHER	BRASS	1	NICKEL
7	NUT	BRASS	1	NICKEL



	<b>All Connectors</b> <small>www.allconnectors.de Tel.: 0640 711 7000500 70754 Filderstadt - Germany</small>	DRAWN MARY DATE 96.10.13	DIMENSIONS ARE IN MILLIMETERS		REVISION	
	<small>info@allconnectors.de Tel.: 0640 711 7000504 Kettnerstr. 25</small>	CHECKED 蘇志欣 DATE	UNLESS OTHERWISE SPECIFIED TOLERANCES		DESCRIPTION	ENGINEER
	TITLE TNC FEMALE SOLDER FOR RG-402/U(.141")	Q.A. 蘇姿潔 DATE	0.5-5=±0.2    120-315=±1 5-30=±0.4    315-1000=±1.6 30-120=±0.6    1000-2000=±2.4			
	PART NO. TNC-07V2-TGN	APPROVAL 徐燦霖 DATE	SCALE 4:1    SIZE A			
	DRAWING NO. TNC 07V2 TGN	REVISION DATE				