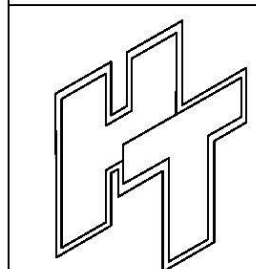
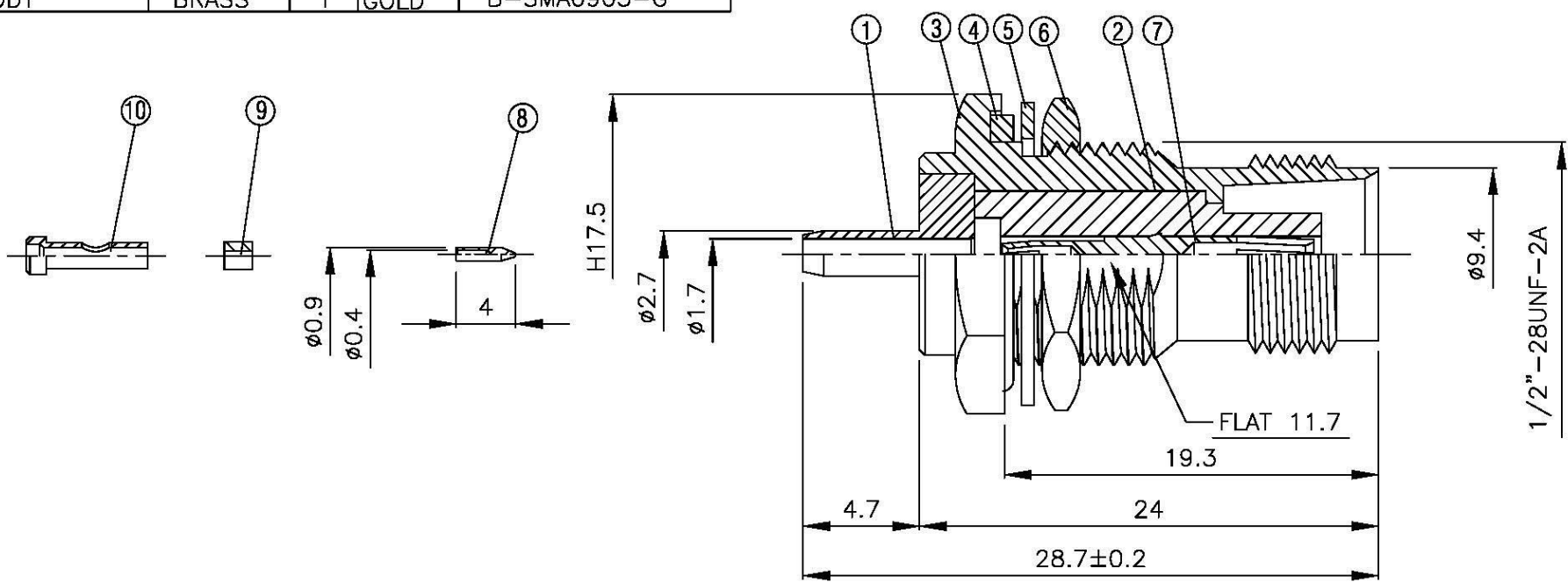
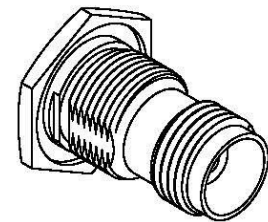


NO	DESCRIPTION	MATERIAL	Q'TY	FINISH	REMARK
1	BODY	BRASS	1	NICKEL	B-TNC0926-N
2	INSULATION	TEFLON	1	TEFLON	I-0452T
3	BODY	BRASS	1	NICKEL	B-TNC0117-N
4	GASKET	SI RUBBER	1	RUBBER	RU-0006
5	WASHER	BRASS	1	NICKEL	W-0001-N
6	NUT	BRASS	1	NICKEL	N-0003-N
7	PIN	BRASS	1	GOLD	P-TNC0652-G
8	PIN	BRASS	1	GOLD	P-FME0505-G
9	INSULATION	TEFLON	1	TEFLON	I-0256T
10	BODY	BRASS	1	GOLD	B-SMA0903-G



**All Connectors**  
 蘇姿潔  
 馮健華  
 徐燦霖  
 TITLE: FEMALE CRIMP FOR HRS-0.8  
 PART NO.: TNC-07U2-TGN  
 DRAWING NO.: TNC 07U2 TGN

DRAWN: MARY  
 CHECKED: 蘇姿潔  
 Q.A.: 馮健華  
 APPROVAL: 徐燦霖  
 REVISION

DATE: 94.06.02  
 DATE  
 DATE  
 DATE  
 SCALE: 4:1  
 SIZE: A

REVISION	
DESCRIPTION	ENGINEER

DIMENSIONS ARE IN MILLIMETERS  
 UNLESS OTHERWISE SPECIFIED TOLERANCE

0.5-5=±0.2	120-315=±1
5-30=±0.4	315-1000=±1.6
30-120±0.6	1000-2000=±2.4