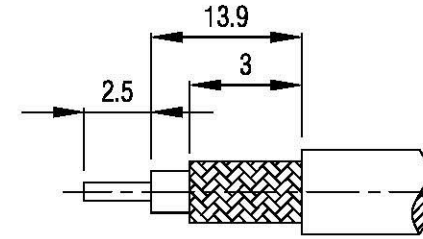
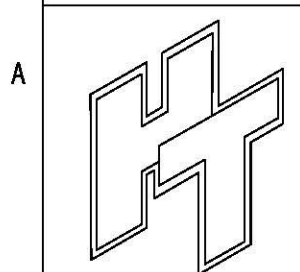
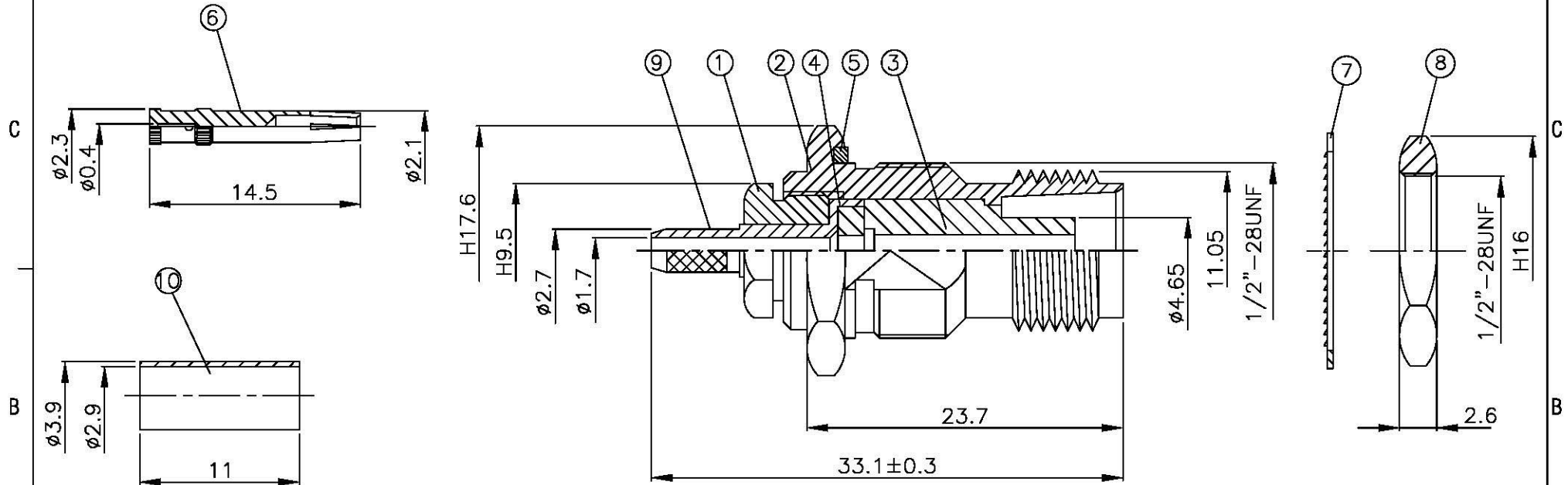
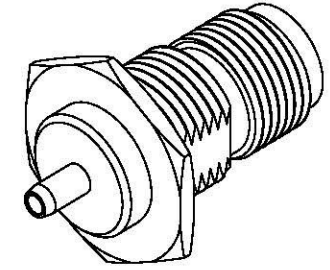


NO	DESCRIPTION	MATERIAL	Q'TY	FINISH	REMARK
1	NUT	BRASS	1	NICKEL	N-0004-N
2	BODY 1	BRASS	1	NICKEL	B-TNC0030-N
3	INSULATION	TEFLON	1	TEFLON	I-0089T
4	INSULATION	TEFLON	1	TEFLON	I-0448T
5	GASKET	RUBBER	1	RUBBER	RU-0006
6	PIN	BRASS	1	GOLD	P-TNC0647-G
7	WASHER	BRASS	1	NICKEL	W-0001-N
8	NUT	BRASS	1	NICKEL	N-0003-N
9	BODY 2	BRASS	1	NICKEL	B-TNC0919-N
10	RING	BRASS	1	NICKEL	R-0017-N



(Recommended Stripping Dimension)



All Connectors
 www.allconnectors.de
 Tel.: +49 391 734940
 Fax: +49 391 734940
 E-Mail: info@allconnectors.de
 info@allconnectors.de
 Fax: +49 391 734940
 E-Mail: info@allconnectors.de

TITLE TNC BULKHEAD FEMALE CRIMP FOR RG-178/U

PART NO. TNC-07M-TGN

DRAWING NO. TNC 07M TGN

DRAWN MARY **DATE** 88.09.23

CHECKED 蘇姿潔 **DATE**

Q.A. 馮健華 **DATE**

APPROVAL 徐燦霖 **DATE**

REVISION **DATE**

DIMENSIONS ARE IN MILLMETERS

UNLESS OTHERWISE SPECIFIED TOLERANCES

0.5-5 = ±0.2 120-315 = ±1

5-30 = ±0.4 315-1000 = ±1.6

30-120 = ±0.6 1000-2000 = ±2.4

SCALE 4:1 **SIZE** A

REVISION	
DESCRIPTION	ENGINEER