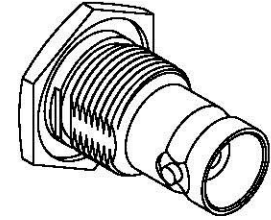
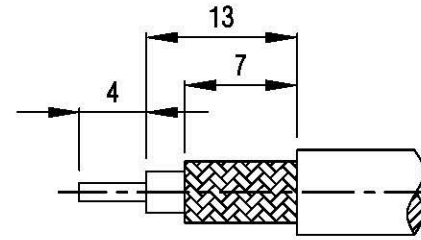
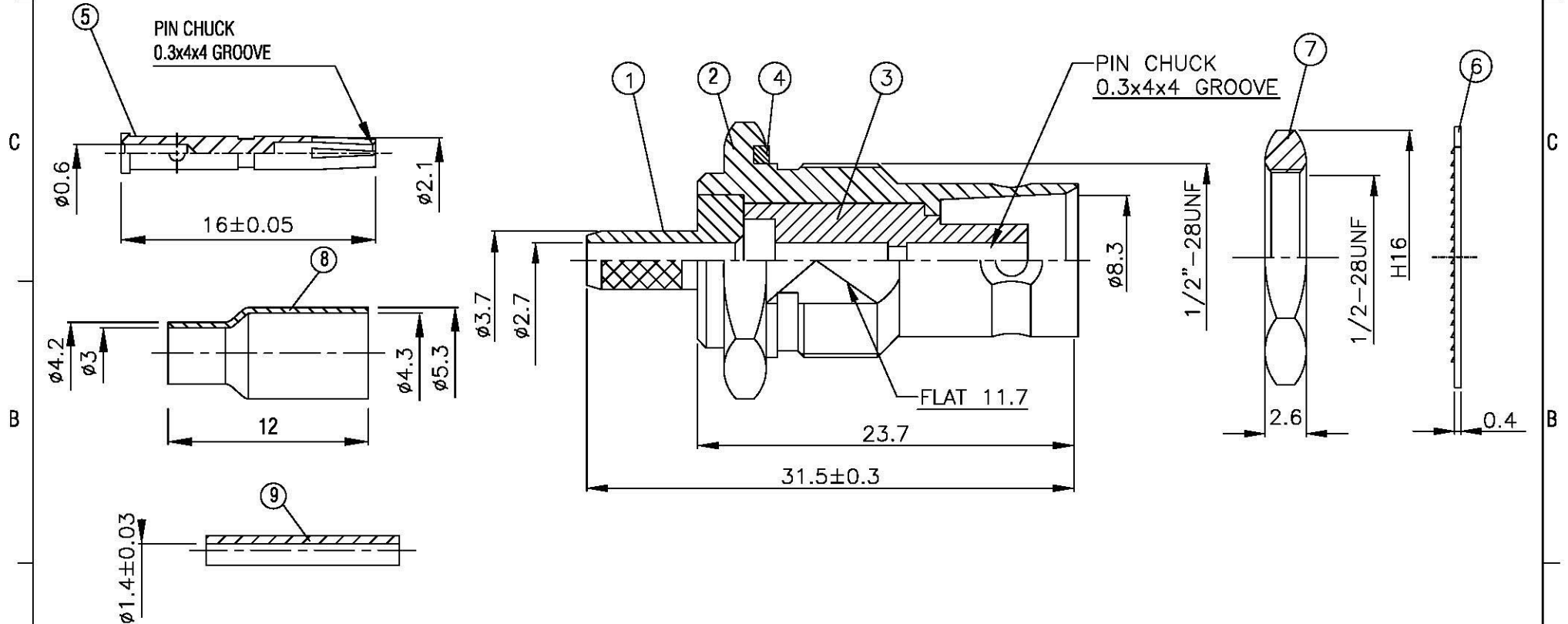
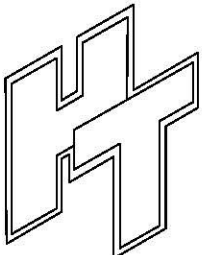



NO	DESCRIPTION	MATERIAL	Q'TY	FINISH	REMARK
1	BODY 1	BRASS	1	NICKEL	B-TNC0013-N
2	BODY 2	BRASS	1	NICKEL	B-BNC0115-N
3	INSULATION	TEFLON	1	TEFLON	I-0044T
4	GASKET	RUBBER	1	RUBBER	RU-0006
5	PIN	BRASS	1	GOLD	P-TNC0011-G
6	WASHER	BRASS	1	NICKEL	W-0001-N
7	NUT	BRASS	1	NICKEL	N-0003-N
8	RING	BRASS	1	NICKEL	R-0011-N
9	INSULATION	TEFLON	1	DELIN	I-0187D



(Recommended Stripping Dimension)



		DRAWN MARY DATE 96.02.16	DIMENSIONS ARE IN MILLIMETERS		REVISION		
	<small> www.allconnectors.com Tel.: 0049 711 2006903 70794 Filderstadt - Germany </small>	<small> info@allconnectors.de Fax: 0049 711 2006904 kettenmerkt.25 </small>	CHECKED 黃巧君 DATE	UNLESS OTHERWISE SPECIFIED TOLERANCES		DESCRIPTION	ENGINEER
	TITLE TNC FEMALE CRIMP FOR CRIMP FOR RG-316/U		Q.A. 蘇姿潔 DATE	0.5-5=±0.2 120-315=±1			
	PART NO. TNC-07L-TGN		APPROVAL 徐燦霖 DATE	5-30=±0.4 315-1000=±1.6			
	DRAWING NO. TNC 07L TGN		REVISION DATE	30-120=±0.6 1000-2000=±2.4	SCALE 4:1	SIZE A	