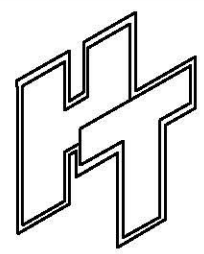
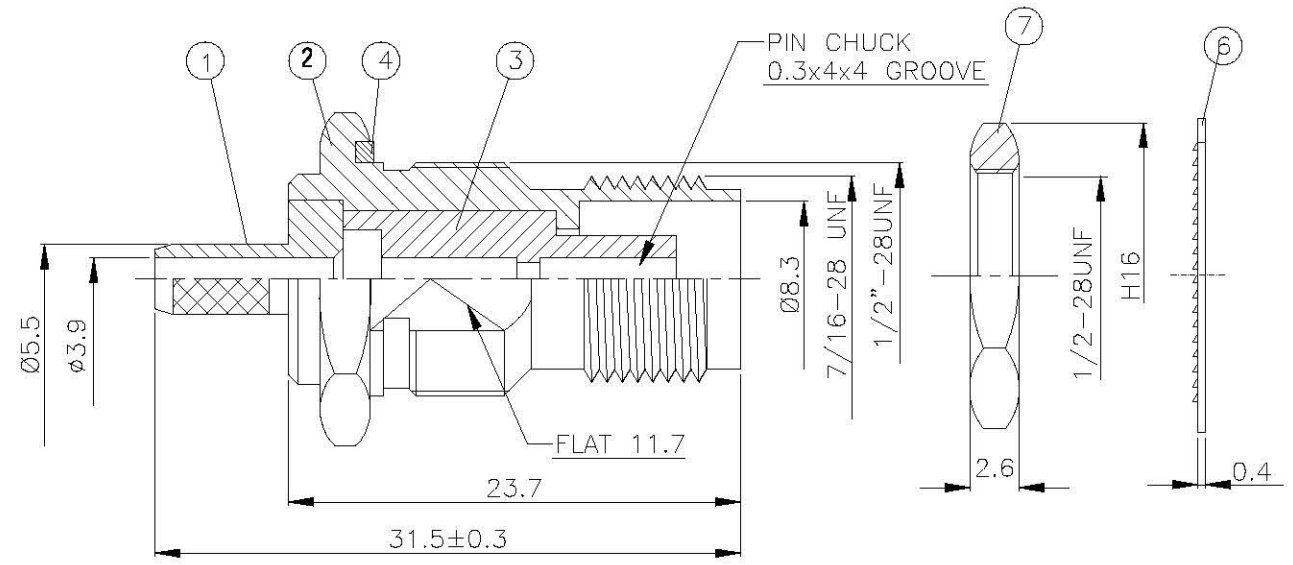
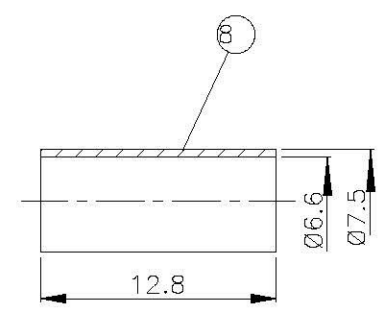
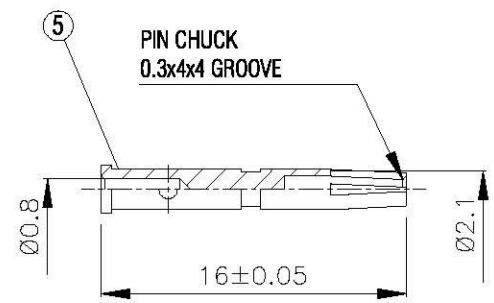
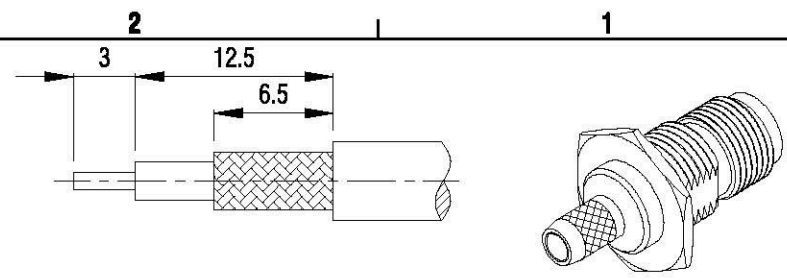


NO	DESCRIPTION	MATERIAL	Q'TY	FINISH
1	BODY 1	BRASS	1	NICKEL
2	BODY 2	BRASS	1	NICKEL
3	INSULATION	TEFLON	1	TEFLON
4	GASKET	RUBBER	1	RUBBER
5	PIN	BRASS	1	GOLD
6	WASHER	BRASS	1	NICKEL
7	NUT	BRASS	1	NICKEL
8	RING	BRASS	1	NICKEL



All Connectors
WORLD HEADQUARTERS: 70751 Filbertstr. - Germany
 TEL: 0049 TEL 7008008
INFORMATIONS: info@allconnectors.de
 FAX: 0049 TEL 7008008
 Kettelerstr. 35

TITLE TNC FEMALE CRIMP FOR CRIMP FOR RG59U
PART NO. TNC-07G-TGN
DRAWING NO. TNC 07G TGN

DRAWN MARY	DATE 97.05.23
CHECKED 蘇志欣	DATE
QA 蘇姿潔	DATE
APPROVAL 徐燦霖	DATE
REVISION	DATE

DIMENSIONS ARE IN MILLIMETERS		
UNLESS OTHERWISE SPECIFIED TOLERANCES		
0.5-5=±0.2	120-315=±1	
5-30=±0.4	315-1000=±1.6	
30-120=±0.6	1000-2000=±2.4	
SCALE 4:1	SIZE A	

REVISION	
DESCRIPTION	ENGINEER