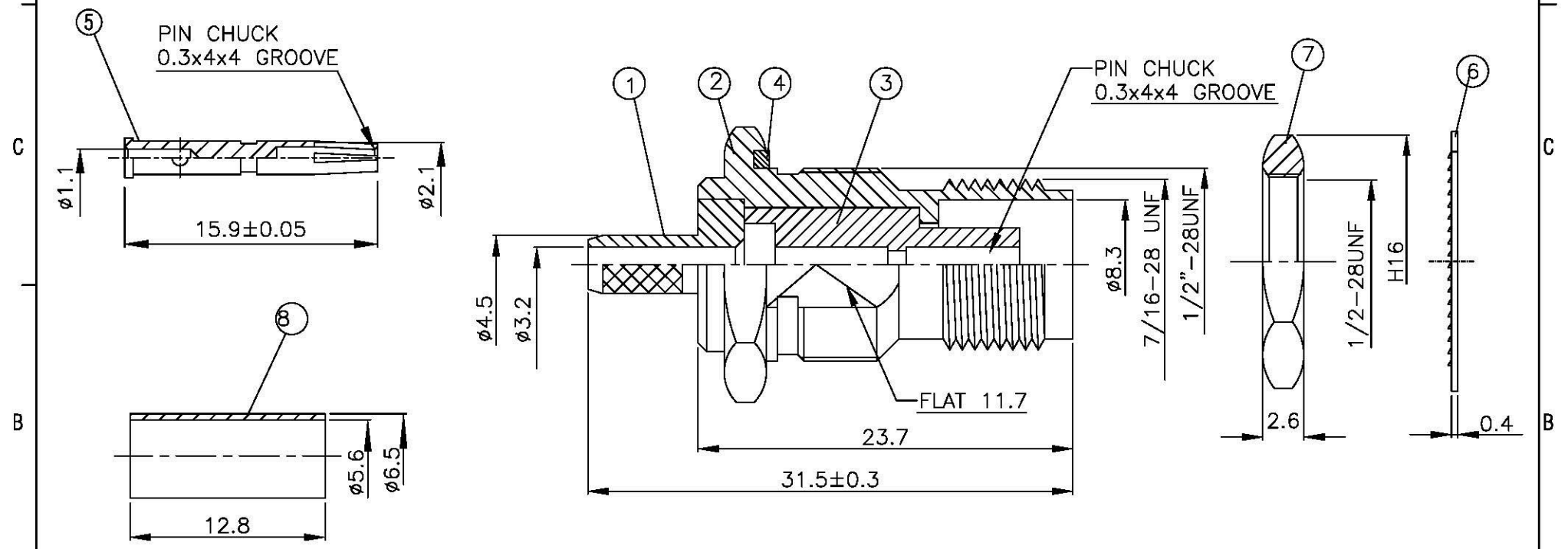
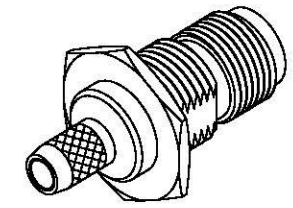
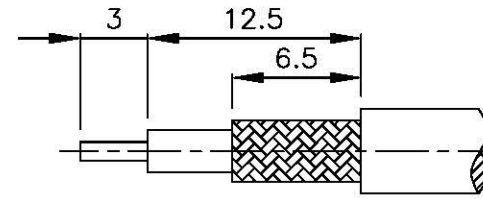


NO	DESCRIPTION	MATERIAL	Q'TY	FINISH	REMARK
1	BODY 1	BRASS	1	NICKEL	B-TNC0013-N
2	BODY 2	BRASS	1	NICKEL	B-TNC0117-N
3	INSULATION	TEFLON	1	TEFLON	I-0044T
4	GASKET	RUBBER	1	RUBBER	RU-0006
5	PIN	BRASS	1	GOLD	P-TNC0011-G
6	WASHER	BRASS	1	NICKEL	W-0001-N
7	NUT	BRASS	1	NICKEL	N-0003-N
8	RING	BRASS	1	NICKEL	R-0007-N



		DRAWN MARY DATE 96.09.28 CHECKED 蘇志欣 DATE Q.A. 蘇姿潔 DATE APPROVAL 徐燦霖 DATE REVISION DATE	DIMENSIONS ARE IN MILLIMETERS UNLESS OTHERWISE SPECIFIED TOLERANCES 0.5-5=±0.2 120-315=±1 5-30=±0.4 315-1000=±1.6 30-120=±0.6 1000-2000=±2.4 SCALE 4:1 SIZE A	REVISION DESCRIPTION ENGINEER	
	TITLE TNC FEMALE CRIMP FOR CRIMP FOR RG58U	PART NO. TNC-07F-TGN	DRAWING NO. TNC 07F TGN		