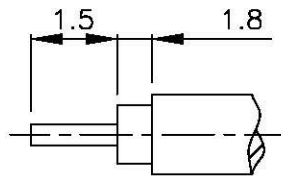
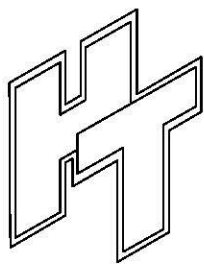
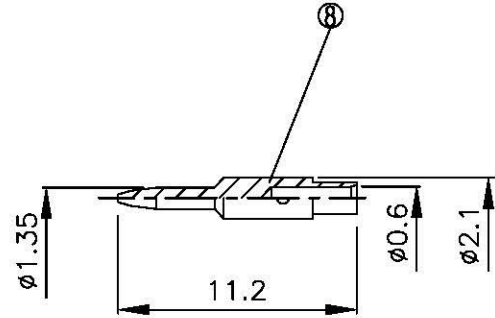
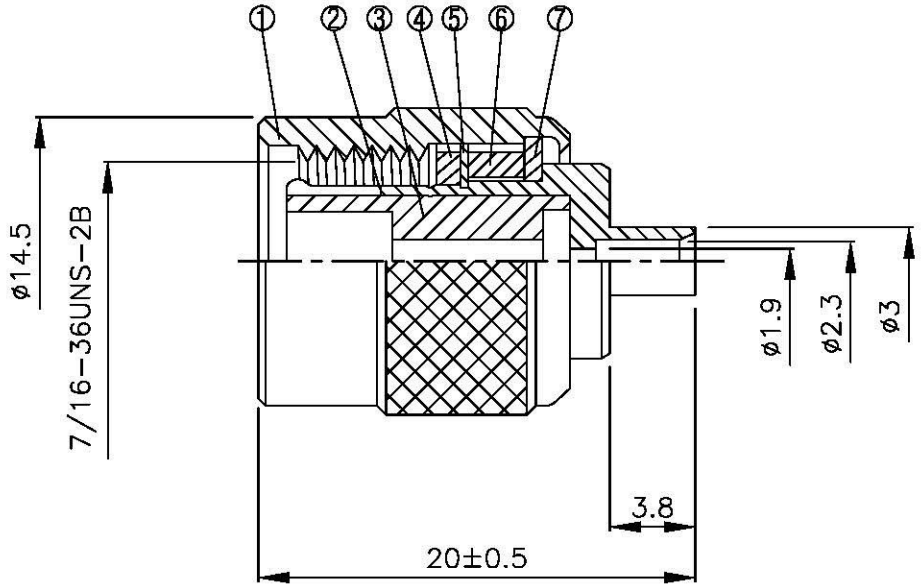
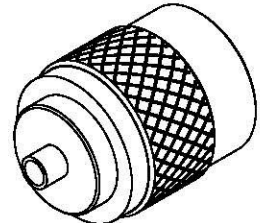


NO	DESCRIPTION	MATERIAL	Q'TY	FINISH	REMARK
1	SHELL	BRASS	1	NICKEL	B-TNC0083-N
2	BODY 1	BRASS	1	NICKEL	
3	INSULATION	TEFLON	1	TEFLON	I-0172T
4	GASKET	RUBBER	1	RUBBER	RU-0010
5	WASHER	BRASS	1	NICKEL	W-0026-N
6	SPRING	BRASS	1	NICKEL	W-0024-N
7	WASHER	BRASS	1	NICKEL	W-0025-N
8	PIN	BRASS	1	GOLD	



(Recommended Stripping Dimension)



Allconnectors
 www.allconnectors.de info@allconnectors.de
 Tel.: 0049 711 709503 Fax: 0049 711 709504
 20754 Filderstadt - Germany Kettnerstraße, 25

TITLE **TNC MALE SOLDER FOR RG 405 (.085)**

PART NO. **TNC-05V1-TGN**

DRAWING NO. **TNC 05V1 TGN**

DRAWN **MARY** DATE **96.06.20**

CHECKED **蘇志欣** DATE

Q.A. **蘇姿潔** DATE

APPROVAL **徐燦霖** DATE

REVISION DATE

DIMENSIONS ARE IN MILLIMETERS

UNLESS OTHERWISE SPECIFIED TOLERANCE

0.5-5=±0.2	120-315=±1
5-30=±0.4	315-1000=±1.6
30-120=±0.6	1000-2000=±2.4

SCALE **4:1** SIZE **A**

REVISION	
DESCRIPTION	ENGINEER