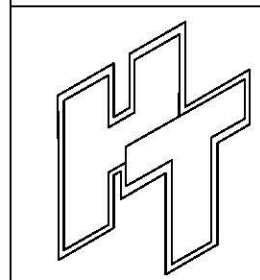
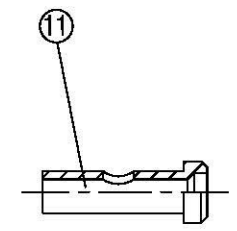
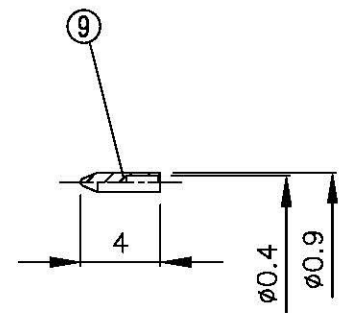
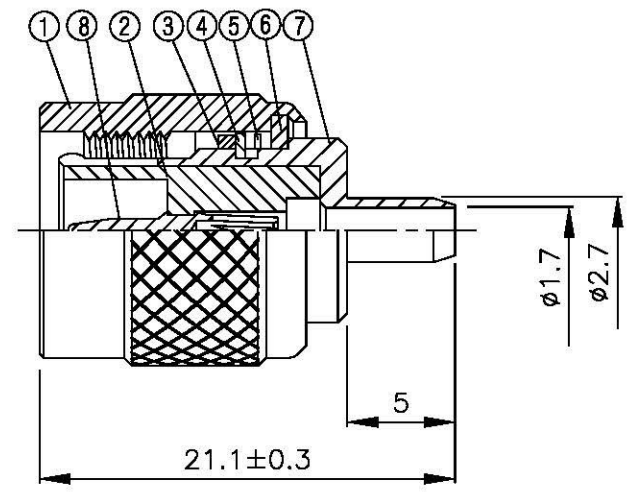
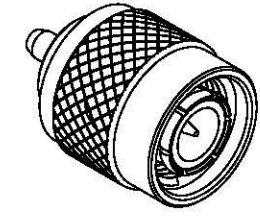


NO	DESCRIPTION	MATERIAL	Q'TY	FINISH	REMARK
1	BODY 1	BRASS	1	NICKEL	B-TNC0083-N
2	INSULATION	TEFLON	1	TEFLON	I-0450T
3	GASKET	SI RUBBER	1	RUBBER	RU-0010
4	WASHER 1	BRASS	1	NICKEL	W-0026-N
5	SPRING	BRASS	1	NICKEL	W-0025-N
6	WASHER 2	BRASS	1	NICKEL	W-0027-N
7	BODY 2	BRASS	1	NICKEL	B-BNC0920-N
8	PIN (FEMALE)	BRASS	1	GOLD	P-BNC0648-G
9	PIN (MALE)	BRASS	1	GOLD	P-FME0505-G
10	INSULATION 2	TEFLON	1	TEFLON	I-0256T
11	BODY 3	BRASS	1	GOLD	B-SMA0902-G



All Connectors
 www.allconnectors.com info@allconnectors.com
 Tel.: +86 21 3113 0088 Fax: +86 21 3113 0008
 Address: Hefei Road, Shanghai, China

TITLE TNC MALE CRIMP FOR HRS-1.1

PART NO. TNC-05U1-TGN

DRAWING NO. TNC 05U1 TGN

DRAWN MARY **DATE** 94.05.17

CHECKED 蘇姿潔 **DATE**

Q.A. 馮健華 **DATE**

APPROVAL 徐燦霖 **DATE**

REVISION **DATE**

DIMENSIONS ARE IN MILLIMETERS

UNLESS OTHERWISE SPECIFIED TOLERANCE

0.5-5=±0.2	120-315=±1
5-30=±0.4	315-1000=±1.6
30-120±0.6	1000-2000=±2.4

SCALE 4:1 **SIZE** A

REVISION	
DESCRIPTION	ENGINEER