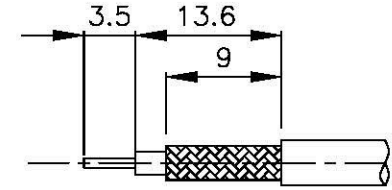
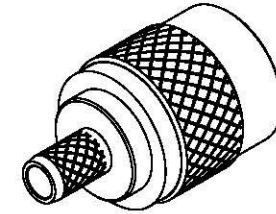


NO	DESCRIPTION	MATERIAL	Q'TY	FINISH
1	BODY 1	BRASS	1	NICKEL
2	RUBBER	SI RUBBER	1	RUBBER
3	WASHER 1	BRASS	1	NICKEL
4	WASHER 2	BRASS	1	NICKEL
5	WASHER 3	BRASS	1	NICKEL
6	INSULATION 1	DELRIN	1	DELRIN
7	BODY 2	BRASS	1	NICKEL
8	PIN	BRASS	1	GOLD
9	RING	BRASS	NICKEL	
10	INSULATION 2	DELRIN	1	DELRIN



(Recommended Stripping Dimension)



D

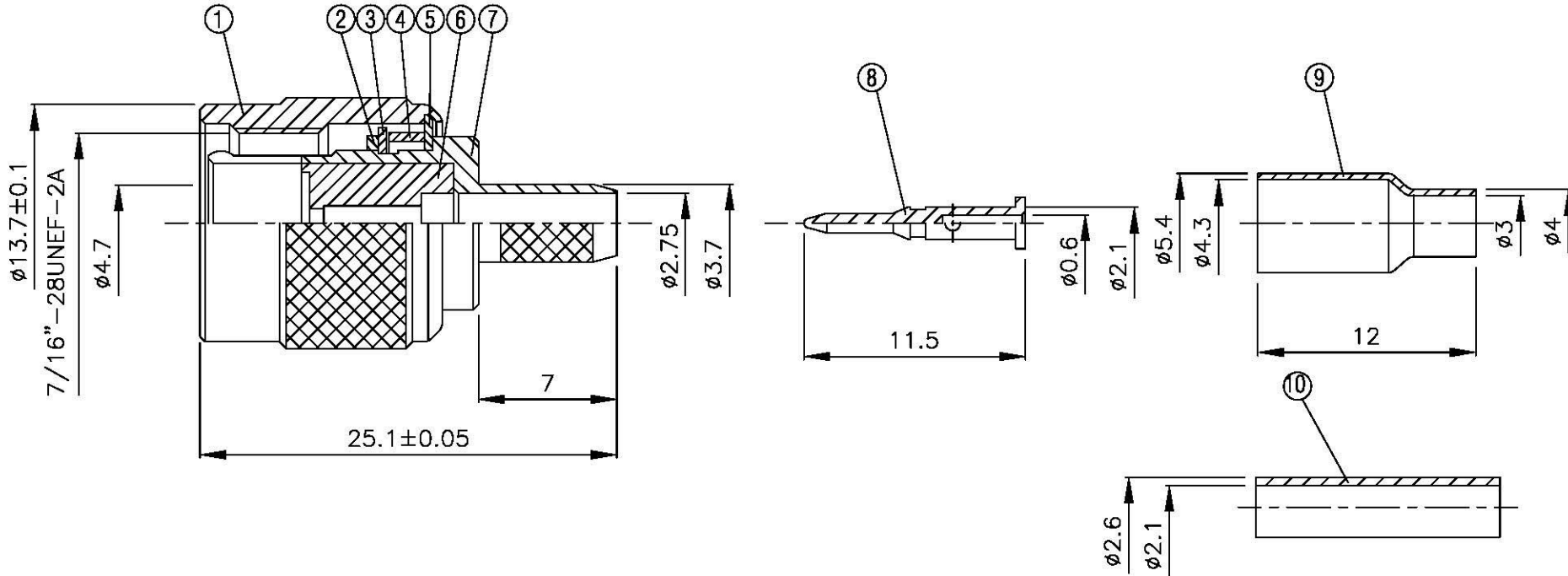
D

C

C

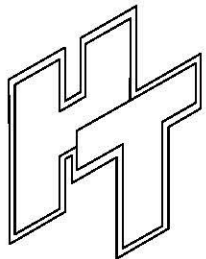
B

B



A

A



All Connectors

www.allconnectors.de
Tel.: 0049 711 7009503
70794 Ellershausen, Germany

info@allconnectors.de
Fax: 0049 711 7009501
Kellernstraße 25

TITLE TNC MALE CRIMP FOR RG-179U
(75 OHM)

PART NO. TNC-05N-DGN

DRAWING NO. TNC 05N DGN

DRAWN MARY DATE 91.09.15

CHECKED 黄巧君 DATE 91.09.15

Q.A. 蘇姿潔 DATE

APPROVAL 徐燦霖 DATE

REVISION DATE

DIMENSIONS ARE IN MILLIMETERS

UNLESS OTHERWISE SPECIFIED
TOLERANCE

0.5-5=±0.2 120-315=±1

5-30=±0.4 315-1000=±1.6

30-120±0.6 1000-2000=±2.4

SCALE 4:1 SIZE A

REVISION

DESCRIPTION	ENGINEER

4

3

2

1