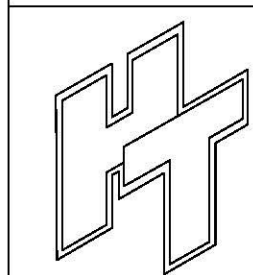
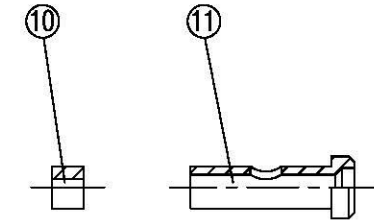
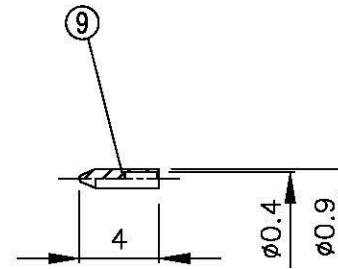
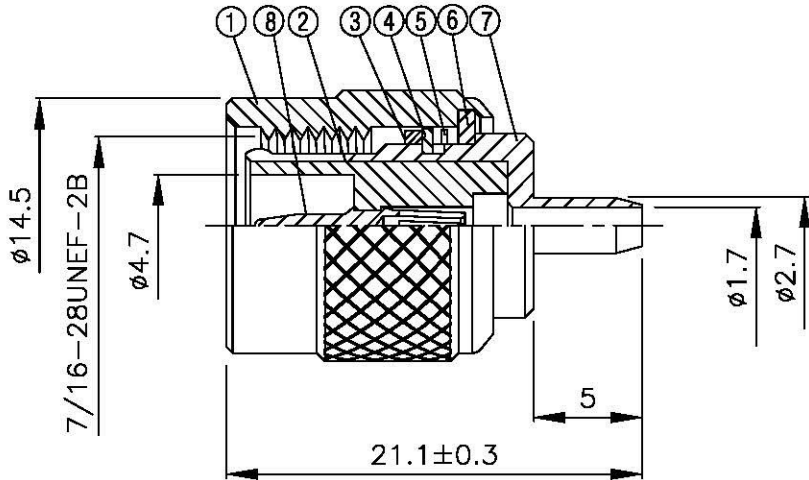
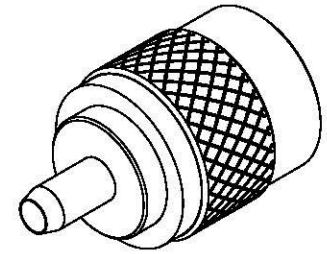


NO	DESCRIPTION	MATERIAL	Q'TY	FINISH	REMARK
1	BODY 1	BRASS	1	NICKEL	B-TNC0083-N
2	INSULATION	TEFLON	1	TEFLON	I-0450T
3	GASKET	SI RUBBER	1	RUBBER	RU-0010
4	WASHER 1	BRASS	1	NICKEL	W-0026-N
5	WASHER 2	BRASS	1	NICKEL	W-0027-N
6	SPRING	BRASS	1	NICKEL	W-0025-N
7	BODY 2	BRASS	1	NICKEL	B-BNC0920-N
8	PIN (FEMALE)	BRASS	1	GOLD	P-BNC0276-G
9	PIN (MALE)	BRASS	1	GOLD	P-FMF0505-G
10	INSULATION 2	TEFLON	1	TEFLON	I-0256T
11	BODY 3	BRASS	1	GOLD	B-SMA0473-G



All Connectors
 www.allconnectors.de info@allconnectors.de
 Tel.: 0049 711 7009583 Fax: 0049 711 7009504
 30754 Hildesheim, Germany Kottowegstr. 25

TITLE TNC MALE CRIMP FOR RG-179/U

PART NO. TNC-05M-TGN

DRAWING NO. TNC 05M TGN

DRAWN MARY DATE 94.05.20

CHECKED 蘇姿潔 DATE

Q.A. 馮健華 DATE

APPROVAL 徐燦霖 DATE

REVISION DATE

DIMENSIONS ARE IN MILLIMETERS

UNLESS OTHERWISE SPECIFIED TOLERANCE

0.5-5 = ± 0.2	120-315 = ± 1
5-30 = ± 0.4	315-1000 = ± 1.6
30-120 ± 0.6	1000-2000 = ± 2.4

SCALE 4:1 SIZE A

REVISION

DESCRIPTION	ENGINEER