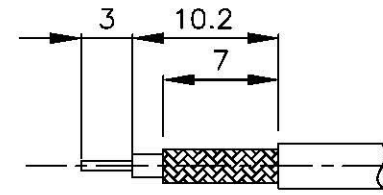
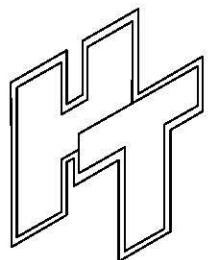
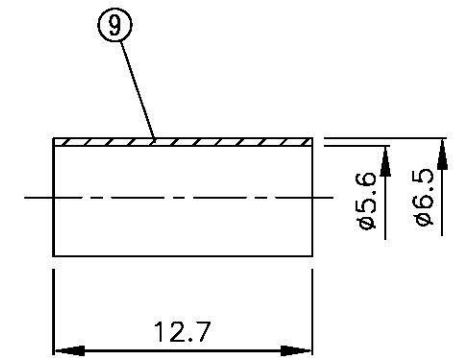
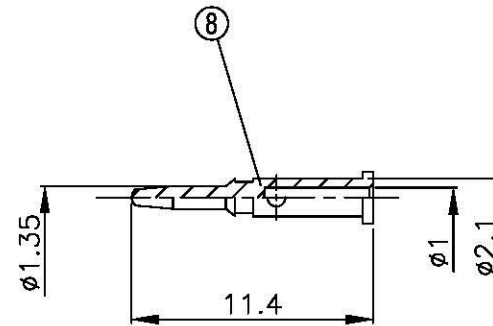
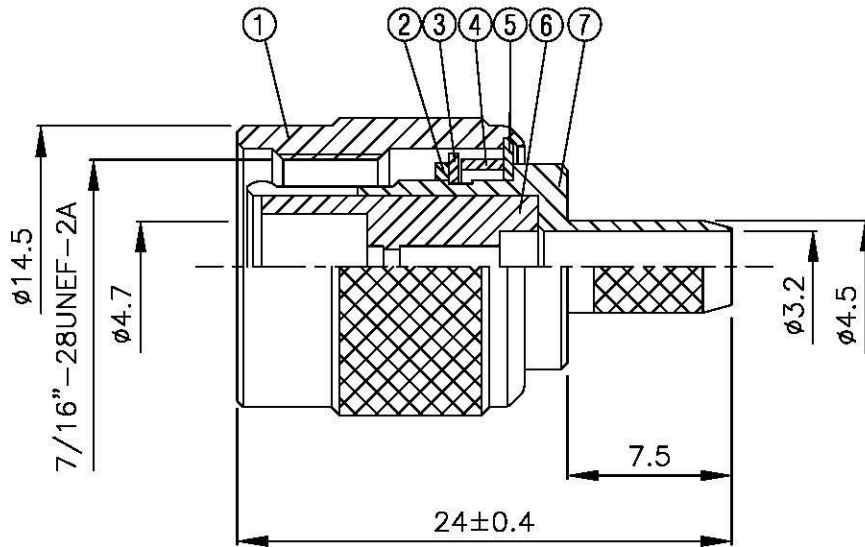
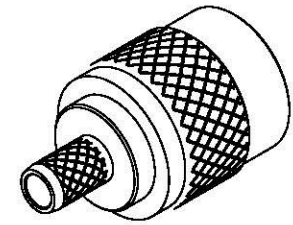


NO	DESCRIPTION	MATERIAL	Q'TY	FINISH	REMARK
1	BODY 1	BRASS	1	NICKEL	B-TNC0083-N
2	RUBBER	SI RUBBER	1	RUBBER	RU-0010
3	WASHER 1	BRASS	1	NICKEL	W-0026-N
4	WASHER 2	BRASS	1	NICKEL	W-0024-N
5	WASHER 3	BRASS	1	NICKEL	W-0025-N
6	INSULATION	TEFLON	1	TEFLON	I-0172T
7	BODY 2	BRASS	1	NICKEL	B-TNC0085-N
8	PIN	BRASS	1	GOLD	P-TNC0222-G
9	RING	BRASS	1	NICKEL	R-0007-N



(Recommended Stripping Dimension)



All Connectors

www.allconnectors.de
Tel: +49 7141 902602
75294 Filbertal - Germany

info@allconnectors.de
Fax: +49 7141 902601
Kellerstraße 25

TITLE TNC MALE CRIMP FOR
RG 58U, RG141A/U

PART NO. TNC-05F-TGN

DRAWING NO. TNC 05F TGN

DRAWN MARY DATE 90.01.22

CHECKED 蘇姿潔 DATE

Q.A. 馮健華 DATE

APPROVAL 徐燦霖 DATE

REVISION DATE

DIMENSIONS ARE IN MILLIMETERS

UNLESS OTHERWISE SPECIFIED
TOLERANCE

0.5-5=±0.2	120-315=±1
5-30=±0.4	315-1000=±1.6
30-120±0.6	1000-2000=±2.4

SCALE 4:1 SIZE A

REVISION

DESCRIPTION	ENGINEER