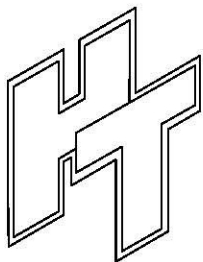
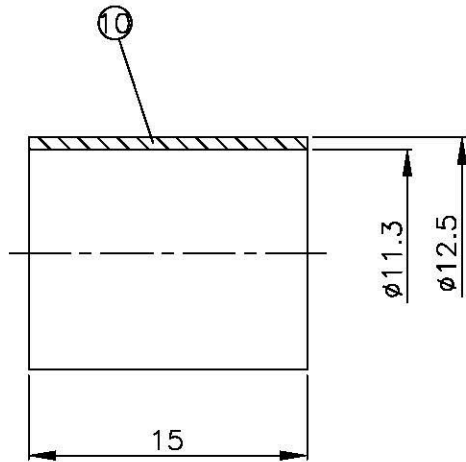
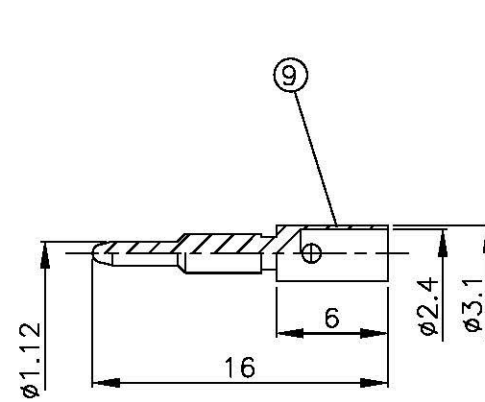
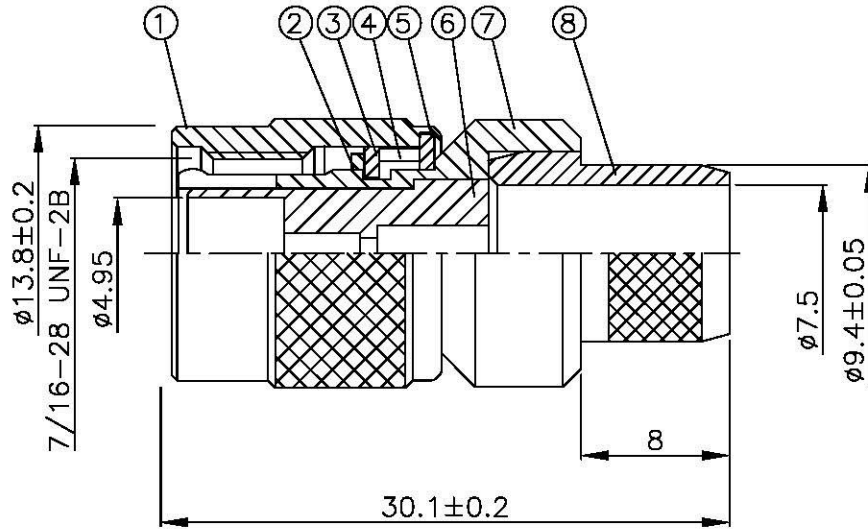
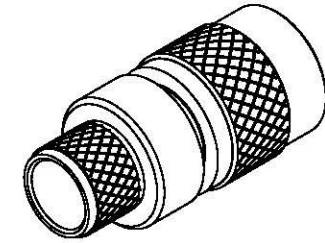
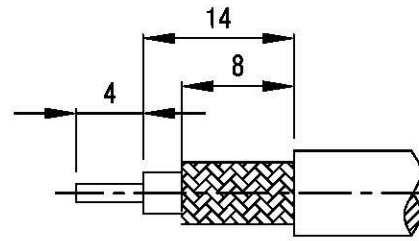


NO	DESCRIPTION	MATERIAL	Q'TY	FINISH	REMARK
1	BODY 1	BRASS	1	NICKEL	B-TNC0083-N
2	RUBBER	SI RUBBER	1	RUBBER	RU-0001
3	WASHER 1	BRASS	1	NICKEL	W-0026-N
4	WASHER 2	BRASS	1	NICKEL	W-0027-N
5	WASHER 3	BRASS	1	NICKEL	W-0025-N
6	INSULATION	TEFLON	1	TEFLON	I-0020T
7	BODY 2	BRASS	1	NICKEL	B-TNC0165-N
8	BODY 3	BRASS	1	NICKEL	B-N0050-N
9	PIN	BRASS	1	GOLD	P-TNC0109-G
10	RING	BRASS	NICKEL	R-0010-N	



All Connectors
 www.allconnectors.de
 info@allconnectors.de
 Tel.: 0049 231 2089400
 Fax: 0049 231 2089401
 70794 Fildorfsfeldt, Germany

TITLE TNC MALE CRIMP FOR
 RG-213/U,214/U

PART NO. TNC-05B-TGN

DRAWING NO. TNC 05B TGN

DRAWN MARY

DATE 95.11.13

CHECKED 黄巧君

DATE

Q.A. 蘇姿潔

DATE

APPROVAL 徐燦霖

DATE

REVISION

DATE

DIMENSIONS ARE IN MILLMETERS

UNLESS OTHERWISE SPECIFIED
 TOLERANCES

0.5-5 = ± 0.2 120-315 = ± 1
 5-30 = ± 0.4 315-1000 = ± 1.6
 30-120 = ± 0.6 1000-2000 = ± 2.4

SCALE 4:1 SIZE A

REVISION

DESCRIPTION ENGINEER