

NO	DESCRIPTION	MATERIAL	Q'TY	FINISH	REMARK
1	SHELL	BRASS	1	NICKEL	B-022A
2	BODY 1	BRASS	1	NICKEL	B-022B
3	GASKET	SI RUBBER	1	RUBBER	B-022C
4	WASHER	BRASS	1	NICKEL	B-022D
5	SPRING	SK-5	1	NICKEL	B-022E
6	WASHER	BRASS	1	NICKEL	B-022F
7	INSULATION	DELRIN	1	DELRIN	B-022G
8	PIN	BRASS	1	GOLD	B-022H
9	BODY 2	BRASS	1	NICKEL	B-022I
10	WASHER	BRASS	1	NICKEL	B-022J
11	INSULATION	TEFLON	1	TEFLON	B-022K
12	RING	BRASS	1	NICKEL	R-0007-N

D

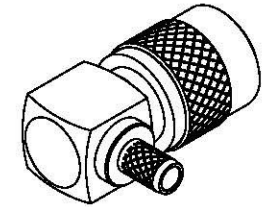
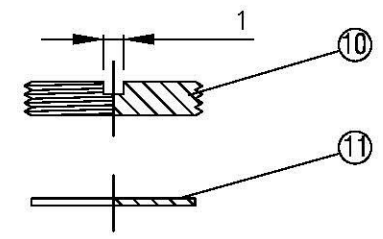
C

B

A

2

1

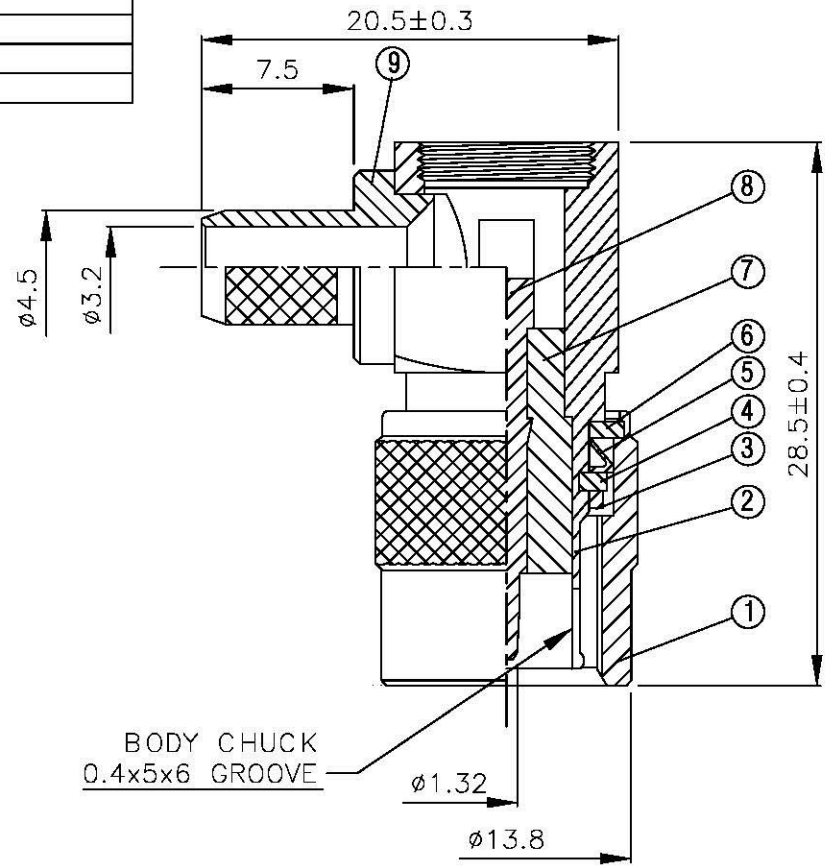
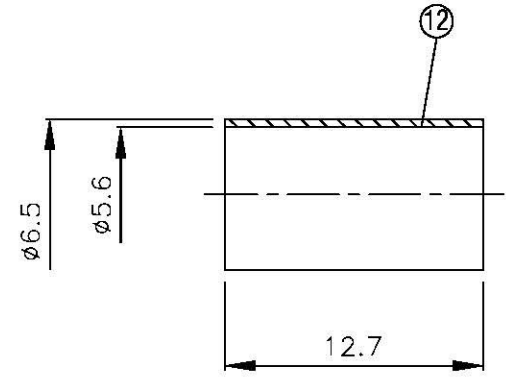


D

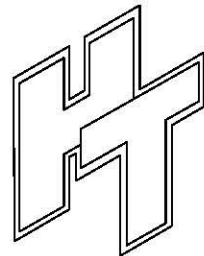
C

B

A



BODY CHUCK
0.4x5x6 GROOVE



All Connectors
www.allconnectors.de
Tel: 0049 711 7069504
70798 Ellersdorf - Germany

info@allconnectors.de
Fax: 0049 711 7069504
Kontaktref: 33

TITLE TNC MALE ANGLE CRIMP
FOR RG 58/U

PART NO. TNC-04F-DGN

DRAWING NO. TNC 04F DGN

DRAWN	MARY	DATE	89.11.05
CHECKED	蘇志欣	DATE	
Q.A.	蘇姿潔	DATE	
APPROVAL	徐燦霖	DATE	
REVISION		DATE	

DIMENSIONS ARE IN MILLIMETERS			
UNLESS OTHERWISE SPECIFIED TOLERANCE			
0.5-5=±0.2	120-315=±1		
5-30=±0.4	315-1000=±1.6		
30-120=±0.6	1000-2000=±2.4		
SCALE	4:1	SIZE	A

REVISION	
DESCRIPTION	ENGINEER

4

3

2

1