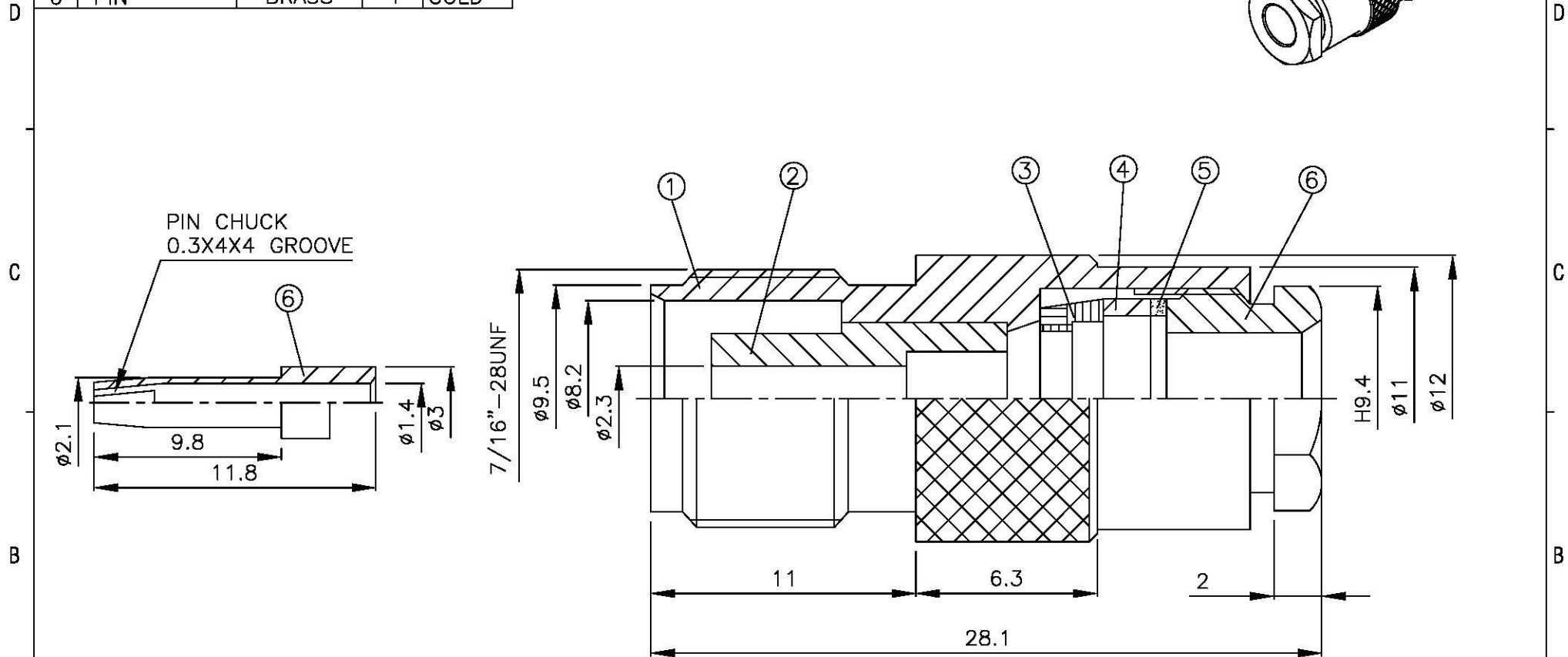
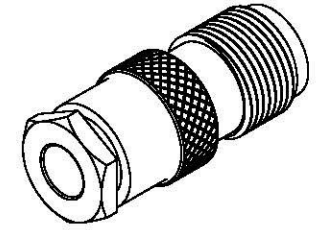


NO	DESCRIPTION	MATERIAL	Q'TY	FINISH
1	BODY	BRASS	1	NICKEL
2	INSULATION	DELRIN	1	DELRIN
3	SLEEVE	BRASS	1	NICKEL
4	GASKET	RUBBER	1	RUBBER
5	WASHER	BRASS	1	NICKEL
6	PIN	BRASS	1	GOLD



	<b>All Connectors</b> <small>www.allconnectors.de Tel.: 0649 711 406004 70754 Tübingen - Germany</small>	DRAWN MARY CHECKED 黄巧君 Q.A. 蘇姿潔 APPROVAL 徐燦霖	DATE 96.04.19 DATE DATE DATE	DIMENSIONS ARE IN MILLIMETERS UNLESS OTHERWISE SPECIFIED TOLERANCE 0.5-5=±0.2    120-315=±1 5-30=±0.4    315-1000=±1.6 30-120=±0.6    1000-2000=±2.4	REVISION DESCRIPTION ENGINEER	
	TITLE TNC MALE CRIMP FOR RG58U,141A/U	REVISION DESCRIPTION ENGINEER	REVISION DESCRIPTION ENGINEER	REVISION DESCRIPTION ENGINEER	REVISION DESCRIPTION ENGINEER	REVISION DESCRIPTION ENGINEER
	PART NO. TNC-02F-DGN	REVISION DESCRIPTION ENGINEER	REVISION DESCRIPTION ENGINEER	REVISION DESCRIPTION ENGINEER	REVISION DESCRIPTION ENGINEER	REVISION DESCRIPTION ENGINEER
	DRAWING NO. TNC 02F DGN	REVISION DESCRIPTION ENGINEER	REVISION DESCRIPTION ENGINEER	REVISION DESCRIPTION ENGINEER	REVISION DESCRIPTION ENGINEER	REVISION DESCRIPTION ENGINEER