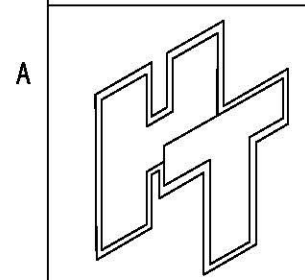
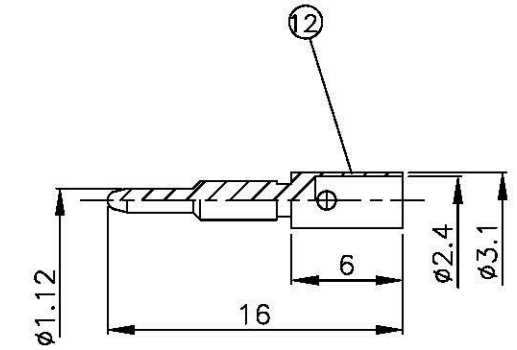
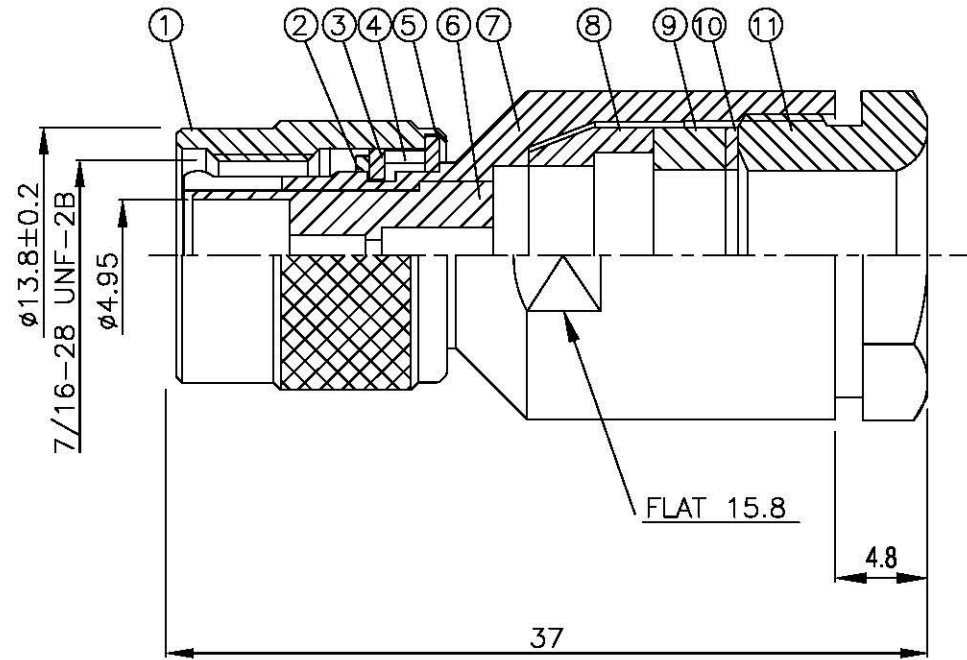
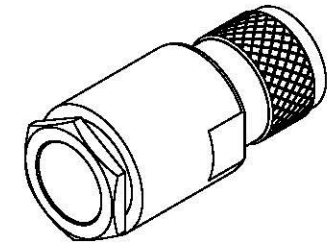


NO	DESCRIPTION	MATERIAL	Q'TY	FINISH
1	BODY 1	BRASS	1	NICKEL
2	RUBBER	SI RUBBER	1	RUBBER
3	WASHER 1	BRASS	1	NICKEL
4	WASHER 2	BRASS	1	NICKEL
5	WASHER 3	BRASS	1	NICKEL
6	INSULATION	TEFLON	1	TEFLON
7	BODY 2	BRASS	1	NICKEL
8	BODY 3	BRASS	1	NICKEL
9	RUBBER	SI RUBBER	1	RUBBER
10	WASHER	BRASS	1	NICKEL
11	NUT	BRASS	1	NICKEL
12	PIN	BRASS	1	GOLD



**All Connectors**  
 www.allconnectors.de  
 Tel.: 0049 711 7009003  
 70791 Filzschlader - Germany

mailto:info@allconnectors.de  
 Fax: 0049 711 7009004  
 Kette marché 2,5

**TITLE** TNC MALE CLAMP FOR RG-213/U  
**PART NO.** TNC-01B-TGN  
**DRAWING NO.** TNC 01B TGN

**DRAWN** MARY  
**CHECKED** 黄巧君  
**Q.A.** 蘇姿潔  
**APPROVAL** 徐燦霖  
**REVISION**

**DATE** 90.11.19  
**DATE** 90.11.19  
**DATE**  
**DATE**

**DIMENSIONS ARE IN MILLMETERS**

**UNLESS OTHERWISE SPECIFIED TOLERANCES**

0.5-5 = $\pm 0.2$	120-315 = $\pm 1$
5-30 = $\pm 0.4$	315-1000 = $\pm 1.6$
30-120 = $\pm 0.6$	1000-2000 = $\pm 2.4$

**SCALE** 4:1    **SIZE** A

REVISION	
DESCRIPTION	ENGINEER