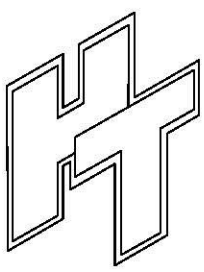
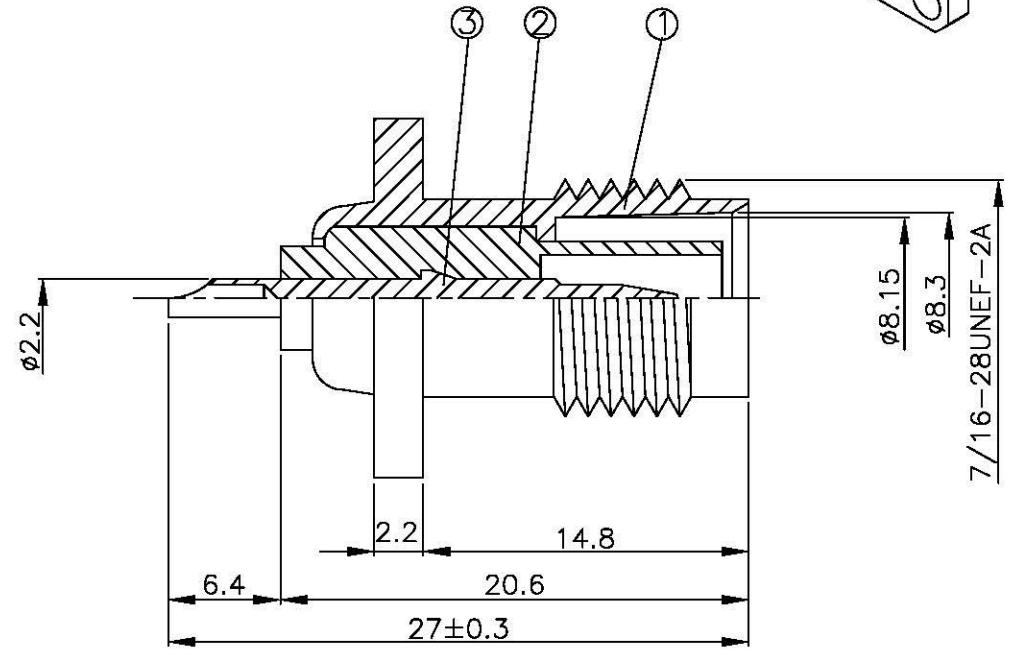
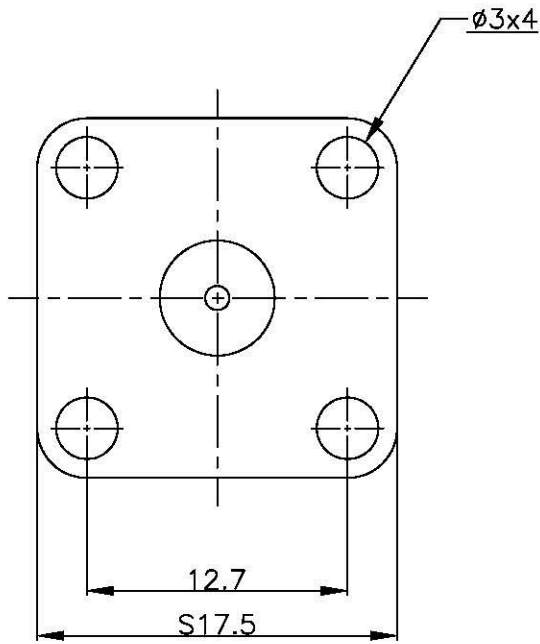
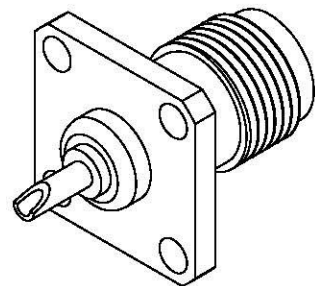


NO	DESCRIPTION	MATERIAL	Q'TY	FINISH	REMARK
1	BODY	BRASS	1	NICKEL	B-TNC0442-N
2	INSULATION	TEFLON	1	TEFLON	I-0035T
3	PIN	BRASS	1	GOLD	P-TNC0129-G



All Connectors
 www.allconnectors.de info@allconnectors.de
 Tel.: 0049 711 7008905 Fax: 0049 711 7008904
 70794 Plochingen, Germany Kettelemente 25

TITLE TNC PANEL FEMALE RECEPTACLE
 REVERSE POLARITY

PART NO. TNC-23-TGN-RP

DRAWING NO. TNC 23 TGN-RP

DRAWN MARY
 CHECKED 蘇志欣
 Q.A. 蘇姿潔
 APPROVAL 徐燦霖
 REVISION

DATE 96.07.12
 DATE
 DATE
 DATE

DIMENSIONS ARE IN MILLIMETERS

UNLESS OTHERWISE SPECIFIED TOLERANCE

0.5-5=±0.2	120-315=±1
5-30=±0.4	315-1000=±1.6
30-120=±0.6	1000-2000=±2.4

SCALE 4:1 SIZE A

REVISION	
DESCRIPTION	ENGINEER