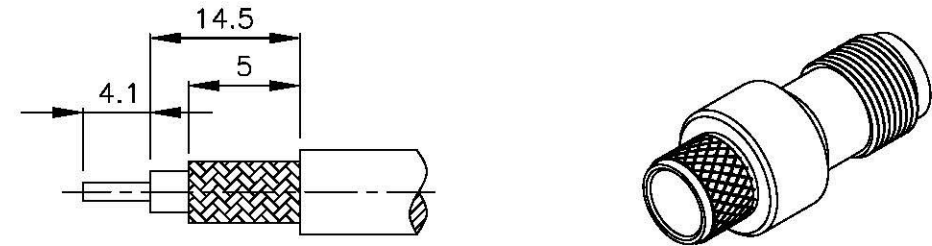
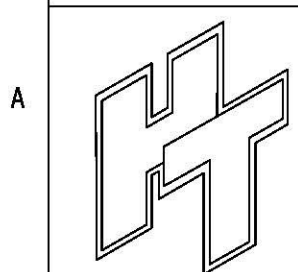
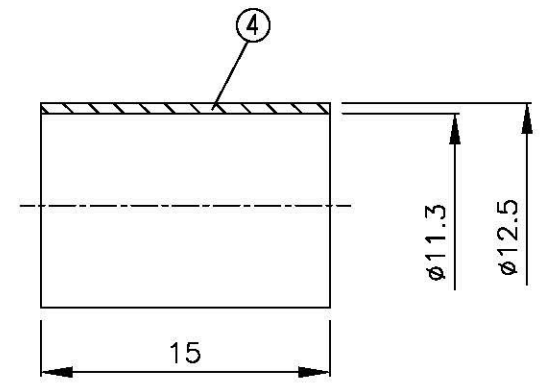
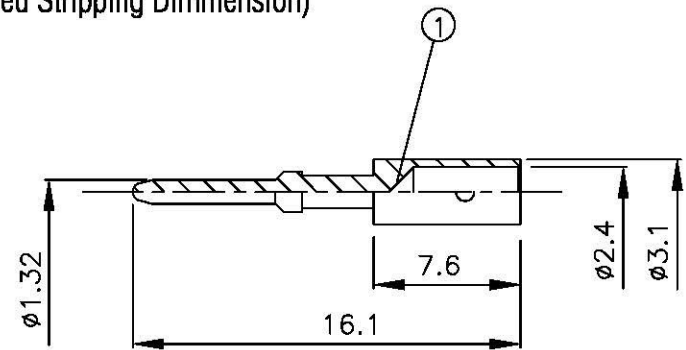
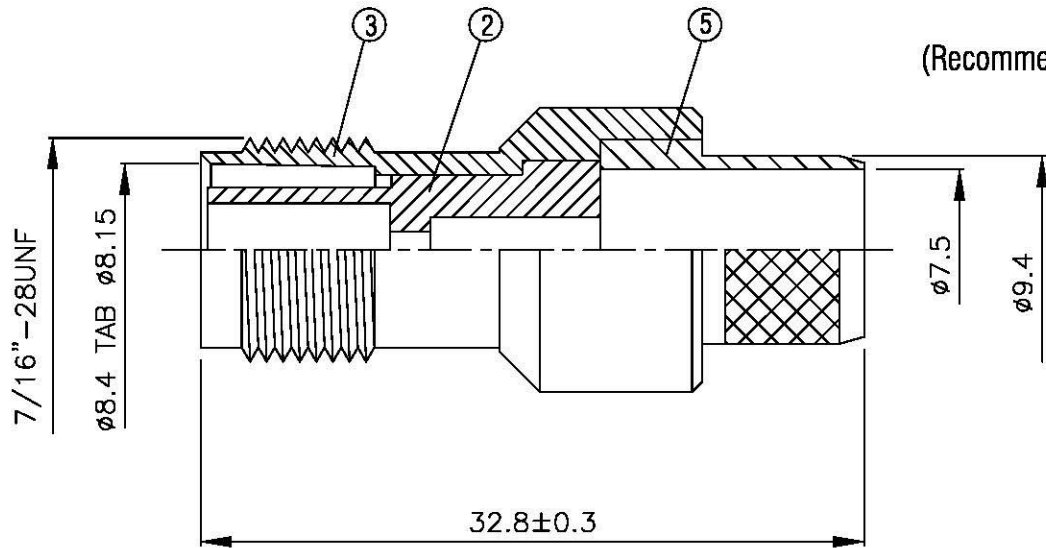


NO	DESCRIPTION	MATERIAL	Q'TY	FINISH	REMARK
1	PIN	BRASS	1	GOLD	P-TNC0109-G
2	INSULATION	TEFLON	1	TEFLON	I-0128T
3	BODY 1	BRASS	1	NICKEL	B-TNC0185-N
4	RING	BRASS	1	NICKEL	R-0010-N
5	BODY 2	BRASS	1	NICKEL	B-N0050-N



(Recommended Stripping Dimension)



**All Connectors**  
 www.allconnectors.de info@allconnectors.de  
 Tel: 0445 733 4000 Fax: 0445 733 4004  
 72724 Filderstadt - Germany K&Ustr. 25

TITLE TNC FEMALE CRIMP FOR RG 213/U REVERSE POLARITY

PART NO. TNC-08B-TGN-RP

DRAWING NO. TNC 08B TGN-RP

DRAWN MARY DATE 96.07.13

CHECKED 蘇志欣 DATE

Q.A. 蘇姿潔 DATE

APPROVAL 徐燦霖 DATE

REVISION DATE

DIMENSIONS ARE IN MILLIMETERS

UNLESS OTHERWISE SPECIFIED TOLERANCE

0.5-5=±0.2	120-315=±1
5-30=±0.4	315-1000=±1.6
30-120±0.6	1000-2000=±2.4

SCALE 4:1 SIZE A

REVISION	
DESCRIPTION	ENGINEER