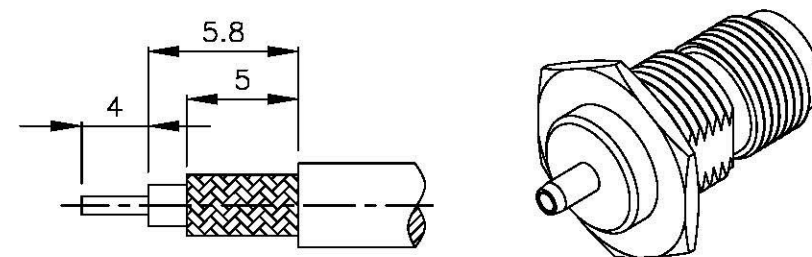
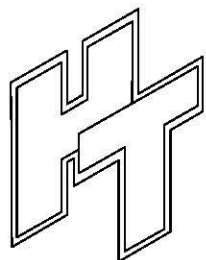
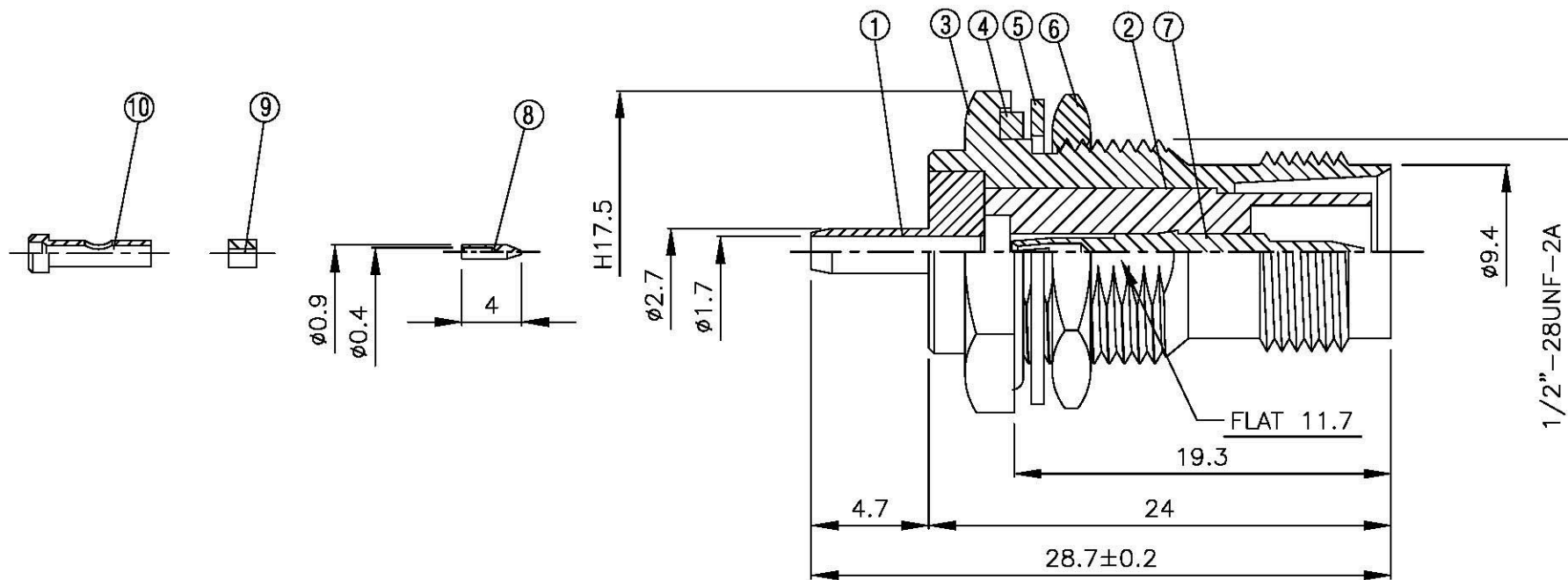


NO	DESCRIPTION	MATERIAL	Q'TY	FINISH	REMARK
1	BODY	BRASS	1	NICKEL	B-TNC0926-N
2	INSULATION	TEFLON	1	TEFLON	I-0577T
3	BODY	BRASS	1	NICKEL	B-TNC0075-N
4	GASKET	SI RUBBER	1	RUBBER	RU-0006
5	WASHER	BRASS	1	NICKEL	W-0001-N
6	NUT	BRASS	1	NICKEL	N-0003-N
7	PIN	BRASS	1	GOLD	P-TNC0842-G
8	PIN	BRASS	1	GOLD	P-FME0505-G
9	INSULATION	TEFLON	1	TEFLON	I-0256T
10	BODY	BRASS	1	GOLD	B-SMA0903-G



(Recommended Stripping Dimension)



All Connectors

www.allconnectors.de
tel.: 0049 711 209503
40254 Hilderslohdt, Germany

info@allconnectors.de
fax: 0049 711 209504
Kellernstr. 25

TITLE BNC FEMALE CRIMP FOR
HRS-0.81 (REVERSE POLARITY)

PART NO. TNC-07U2-TGN-RP

DRAWING NO. TNC 07U2 TGN-RP

DRAWN MARY DATE 96.05.15

CHECKED 蘇志欣 DATE

Q.A. 蘇姿潔 DATE

APPROVAL 徐燦霖 DATE

REVISION DATE

DIMENSIONS ARE IN MILLIMETERS

UNLESS OTHERWISE SPECIFIED
TOLERANCE

0.5-5=±0.2 120-315=±1

5-30=±0.4 315-1000=±1.6

30-120±0.6 1000-2000=±2.4

SCALE 4:1 SIZE A

REVISION

DESCRIPTION ENGINEER

D

C

B

A

D

C

B

A

4

3

2

1