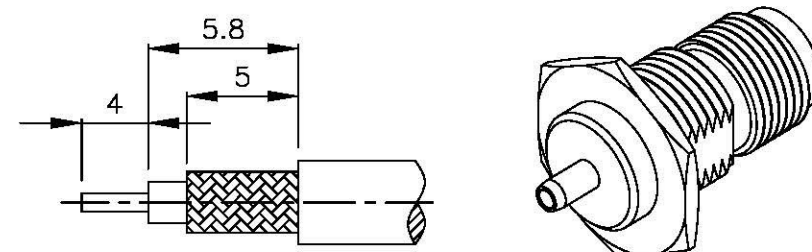
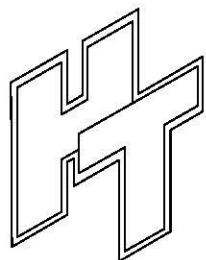
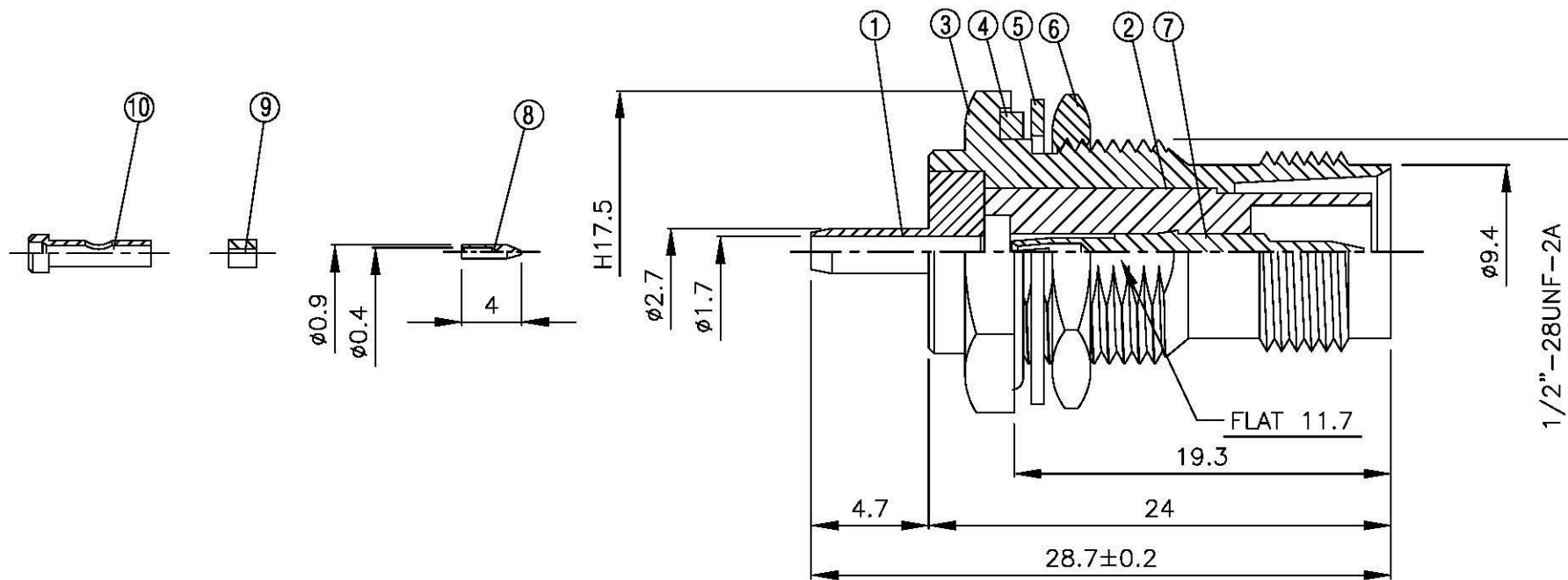


NO	DESCRIPTION	MATERIAL	Q'TY	FINISH	REMARK
1	BODY	BRASS	1	NICKEL	B-TNC0926-N
2	INSULATION	TEFLON	1	TEFLON	I-0577T
3	BODY	BRASS	1	NICKEL	B-TNC0075-N
4	GASKET	SI RUBBER	1	RUBBER	RU-0006
5	WASHER	BRASS	1	NICKEL	W-0001-N
6	NUT	BRASS	1	NICKEL	N-0003-N
7	PIN	BRASS	1	GOLD	P-TNC0842-G
8	PIN	BRASS	1	GOLD	P-FME0505-G
9	INSULATION	TEFLON	1	TEFLON	I-0256T
10	BODY	BRASS	1	GOLD	B-SMA0902-G



(Recommended Stripping Dimension)



**Allconnectors**

www.allconnectors.de  
Tel.: 0049 711 7009503  
72791 Hürtenstadt - Germany

Info@allconnectors.de  
Fax: 0049 711 7009504  
Kellerstr. 12b

TITLE **BNC FEMALE CRIMP FOR  
HRS-1.30 (REVERSE POLARITY)**

PART NO. **TNC-07U-TGN-RP**

DRAWING NO. **TNC 07U TGN-RP**

DRAWN **MARY** DATE **96.05.15**

CHECKED **蘇志欣** DATE

Q.A. **蘇姿潔** DATE

APPROVAL **徐燦霖** DATE

REVISION DATE

DIMENSIONS ARE IN MILLIMETERS

UNLESS OTHERWISE SPECIFIED  
TOLERANCE

0.5-5=±0.2 120-315=±1

5-30=±0.4 315-1000=±1.6

30-120±0.6 1000-2000=±2.4

SCALE **4:1** SIZE **A**

REVISION

DESCRIPTION	ENGINEER

D

C

B

A

D

C

B

A