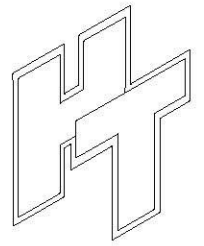
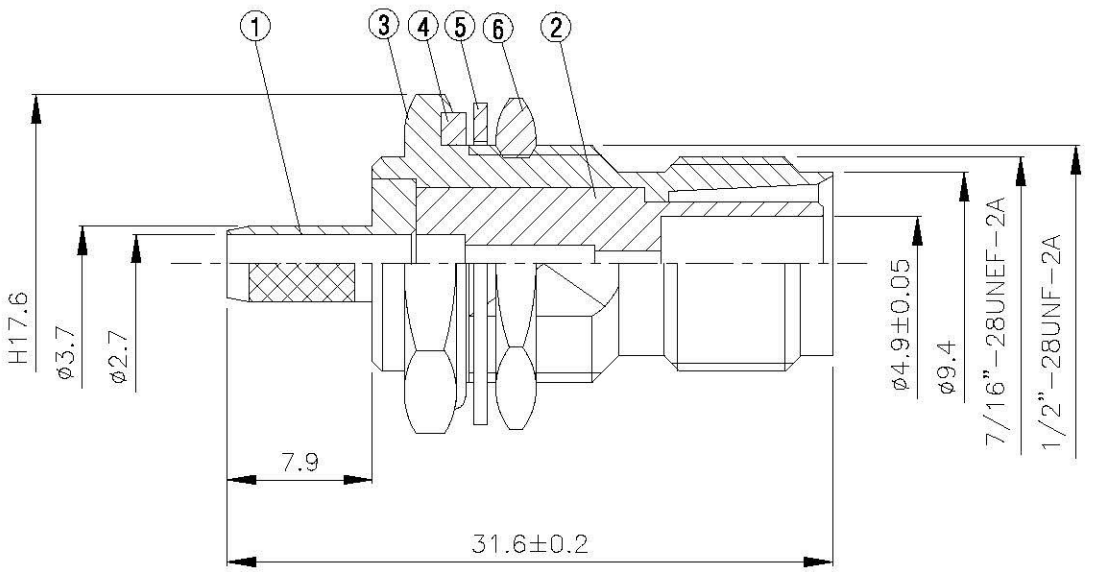
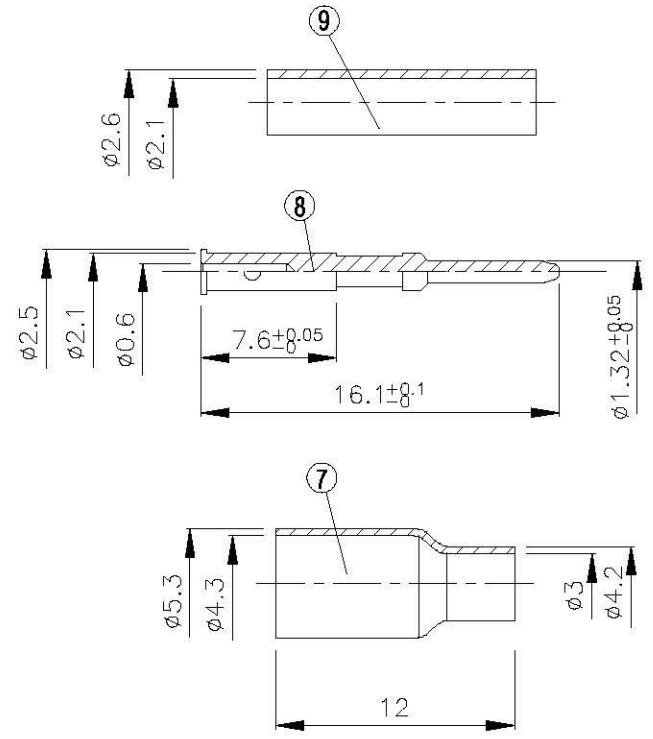
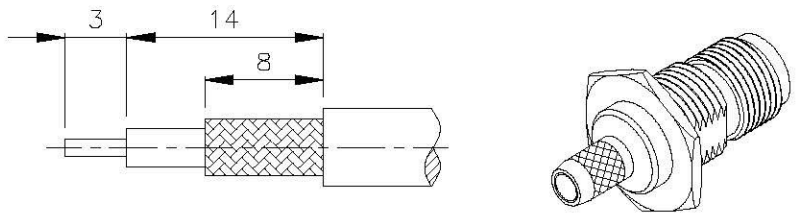


NO	DESCRIPTION	MATERIAL	Q'TY	FINISH	REMARK
1	SHELL	BRASS	1	NICKEL	B-TNC0600-N
2	TEFLON	BRASS	1	NICKEL	I-0128T
3	BODY	BRASS	1	NICKEL	B-TNC0117-N
4	GASKET	SI RUBBER	1	RUBBER	RU-0006
5	WASHER	BRASS	1	NICKEL	W-0001-N
6	NUT	BRASS	1	NICKEL	N-0003-N
7	RING	BRASS	1	NICKEL	R-0011-N
8	PIN	BRASS	1	GOLD	P-TNC0179-G
9	INSULATION	DELRIN	1	DELRIN	I-0187D



All Connectors
 TITLERP TNC FEMALE CRIMP FOR
 RG-174/U,316/U
 PART NO. TNC-07L-TGN-RP
 DRAWING NO. TNC 07L TGN RP

DRAWN MARY
 CHECKED 黃巧君
 Q.A. 蘇姿潔
 APPROVAL 徐燦霖
 REVISION

DATE 90.01.22
 DATE 90.01.22
 DATE
 DATE

DIMENSIONS ARE IN MILLIMETERS
 UNLESS OTHERWISE SPECIFIED
 TOLERANCE
 0.5-5=±0.2 120-315=±1
 5-30=±0.4 315-1000=±1.6
 30-120=±0.6 1000-2000=±2.4
 SCALE 4:1 SIZE A

REVISION	
DESCRIPTION	ENGINEER

4 3 2 1