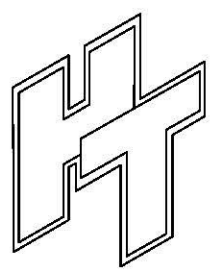
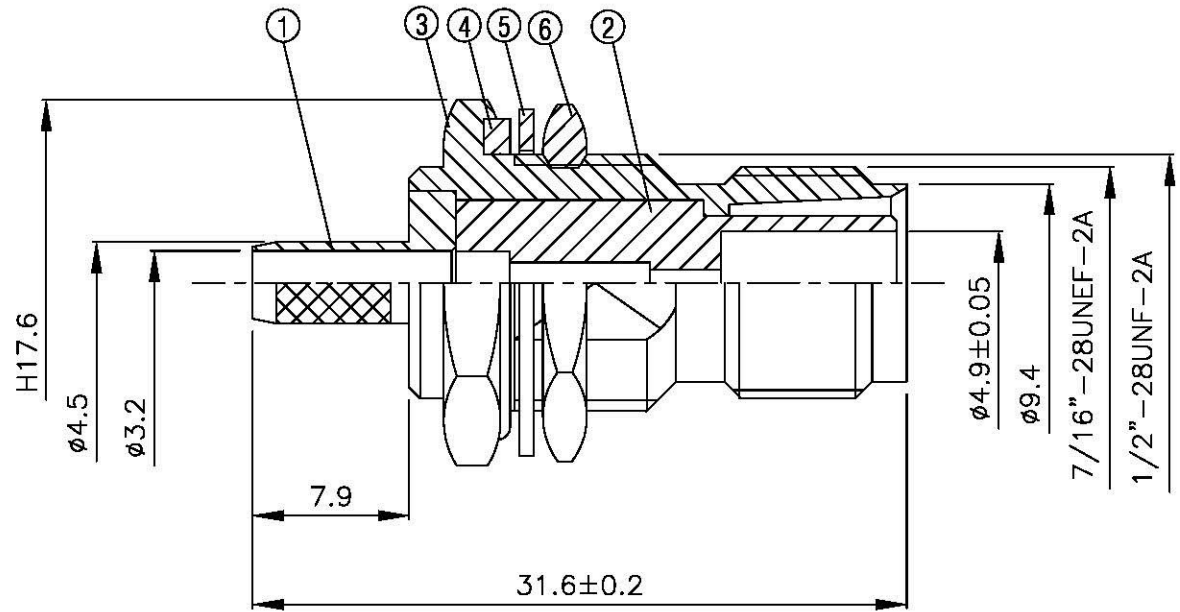
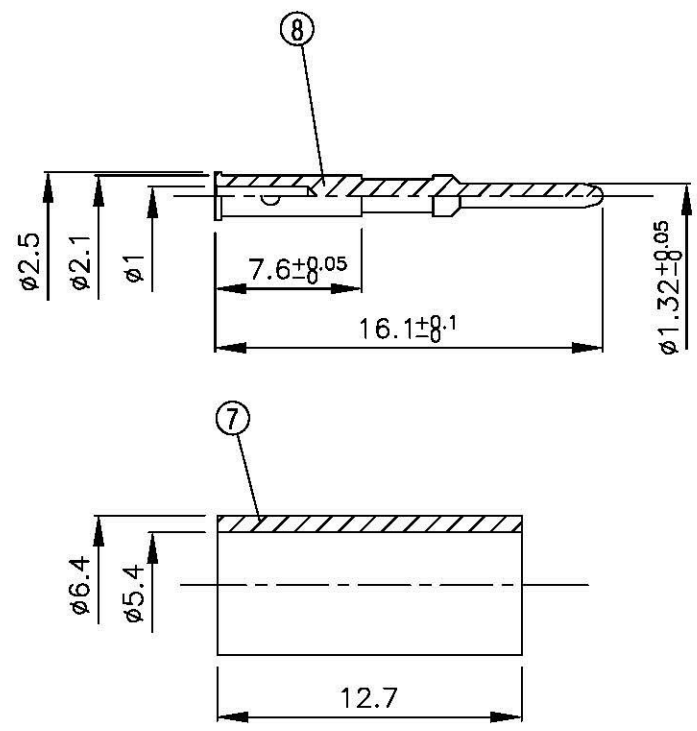
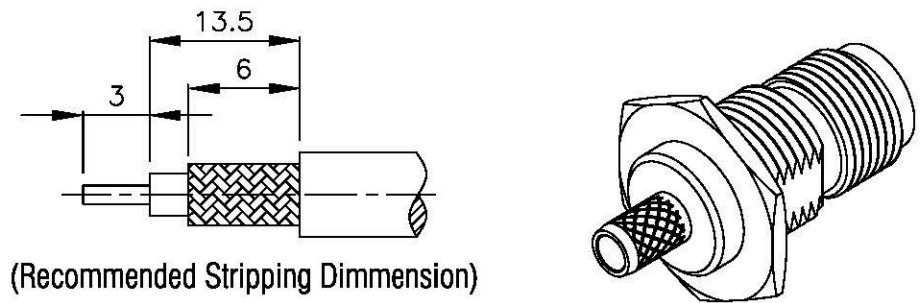


| NO | DESCRIPTION | MATERIAL | Q'TY | FINISH | REMARK |
|----|-------------|-----------|------|--------|-------------|
| 1 | SHELL | BRASS | 1 | NICKEL | B-TNC0013-N |
| 2 | TEFLON | BRASS | 1 | NICKEL | I-0128T |
| 3 | BODY | BRASS | 1 | NICKEL | B-TNC0075-N |
| 4 | GASKET | SI RUBBER | 1 | RUBBER | RU-0006 |
| 5 | WASHER | BRASS | 1 | NICKEL | W-0001-N |
| 6 | NUT | BRASS | 1 | NICKEL | N-0003-N |
| 7 | RING | BRASS | 1 | NICKEL | R-0007-N |
| 8 | PIN | BRASS | 1 | GOLD | P-TNC0051-G |



All Connectors
 www.allconnectors.de info@allconnectors.de
 Tel: +49 (0) 39 0 21 31 00 00 Fax: +49 (0) 39 0 21 31 00 00
 20798 Ellerbörsdorf, Germany Kottenheider Str. 22

TITLE TNC FEMALE CRIMP FOR
 RG58U, 141A/U

PART NO. TNC-07F-TGN-RP

DRAWING NO. TNC 07F TGN RP

DRAWN MARY DATE 96.07.12

CHECKED 蘇志欣 DATE

Q.A. 蘇姿潔 DATE

APPROVAL 徐燦霖 DATE

REVISION DATE

DIMENSIONS ARE IN MILLIMETERS

UNLESS OTHERWISE SPECIFIED TOLERANCE

| | |
|------------|----------------|
| 0.5-5=±0.2 | 120-315=±1 |
| 5-30=±0.4 | 315-1000=±1.6 |
| 30-120±0.6 | 1000-2000=±2.4 |

SCALE 4:1 SIZE A

| REVISION | |
|-------------|----------|
| DESCRIPTION | ENGINEER |
| | |
| | |
| | |