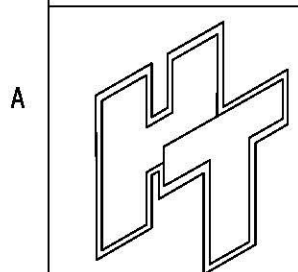
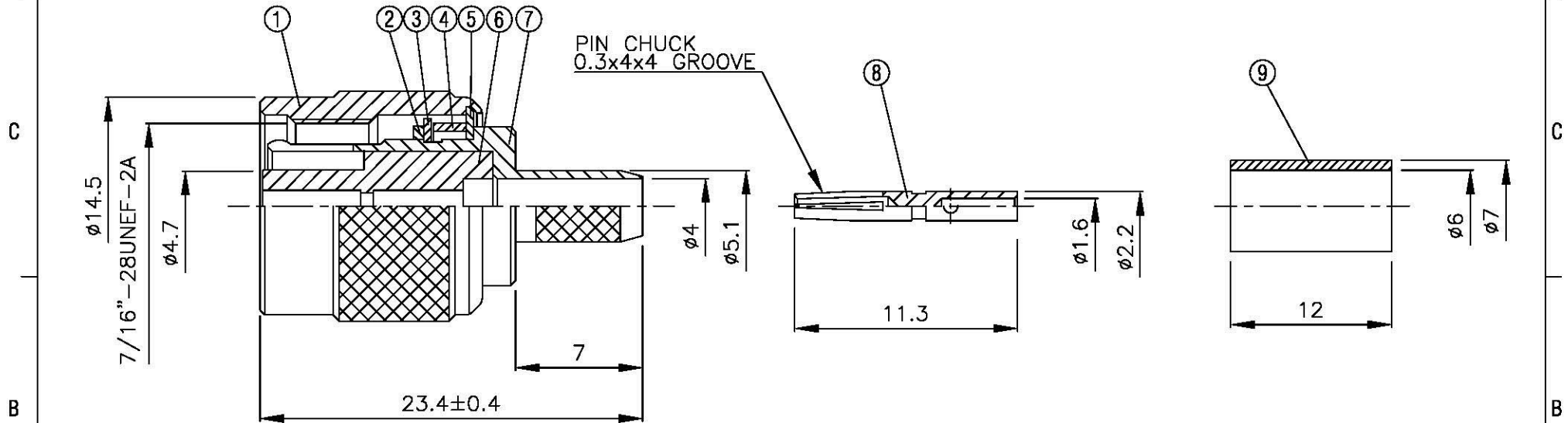
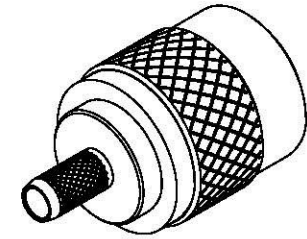


NO	DESCRIPTION	MATERIAL	Q'TY	FINISH	REMARK
1	BODY 1	BRASS	1	NICKEL	B-TNC0083-N
2	RUBBER	SI RUBBER	1	RUBBER	RU-0010
3	WASHER 1	BRASS	1	NICKEL	W-0026-N
4	WASHER 2	BRASS	1	NICKEL	W-0024-N
5	WASHER 3	BRASS	1	NICKEL	W-0025-N
6	INSULATION	TEFLON	1	TEFLON	I-0130T
7	BODY 2	BRASS	1	NICKEL	B-TNC0809-N
8	PIN	BRASS	1	GOLD	P-TNC0559-G
9	RING	BRASS	1	NICKEL	R-0008-N



All Connectors
 www.allconnectors.de info@allconnectors.de
 Tel.: 0049 711 7009503 Fax: 0049 711 7009504
 30794 Erl. Lohrstadt - Germany Kettnerstr. 25

TITLE TNC MALE CRIMP FOR REVERSE POLARITY (LOW LOSS CABLE)

PART NO. TNC-05LL-TGN-RP

DRAWING NO. TNC 05LL TGN RP

DRAWN MARY **DATE** 96.07.13

CHECKED 蘇志欣 **DATE**

Q.A. 蘇姿潔 **DATE**

APPROVAL 徐燦霖 **DATE**

REVISION **DATE**

DIMENSIONS ARE IN MILLIMETERS

UNLESS OTHERWISE SPECIFIED TOLERANCE

0.5-5=±0.2	120-315=±1
5-30=±0.4	315-1000=±1.6
30-120±0.6	1000-2000=±2.4

SCALE 4:1 **SIZE** A

REVISION	
DESCRIPTION	ENGINEER