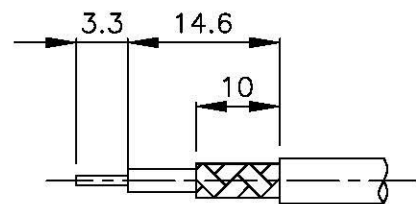
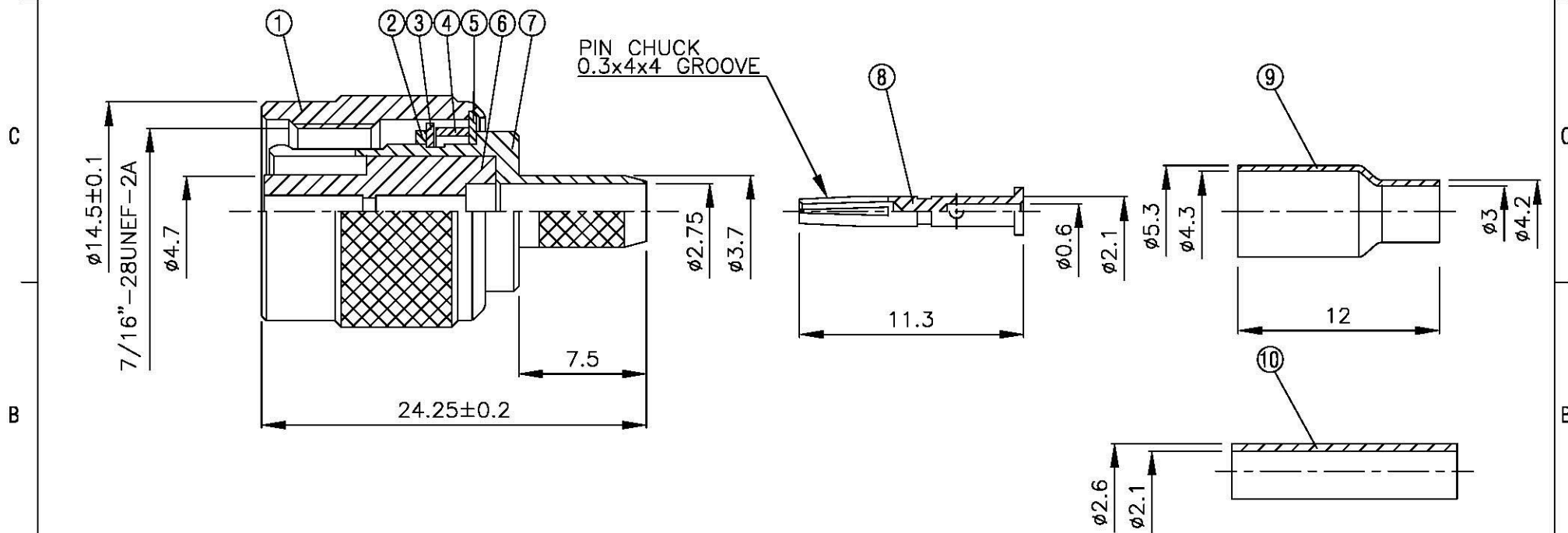
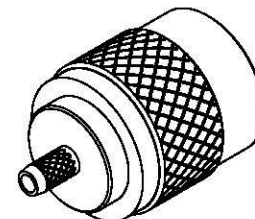


NO	DESCRIPTION	MATERIAL	Q'TY	FINISH	REMARK
1	BODY 1	BRASS	1	NICKEL	B-TNC0083-N
2	RUBBER	SI RUBBER	1	RUBBER	RU-0010
3	WASHER 1	BRASS	1	NICKEL	W-0026-N
4	WASHER 2	BRASS	1	NICKEL	W-0024-N
5	WASHER 3	BRASS	1	NICKEL	W-0025-N
6	INSULATION	TEFLON	1	TEFLON	I-0130T
7	BODY 2	BRASS	1	NICKEL	B-TNC0398-N
8	PIN	BRASS	1	GOLD	P-TNC0256-N
9	RING	BRASS	1	NICKEL	R-0011-N
10	INSULATION	DELRIN	1	DELRIN	I-0187D



(Recommended Stripping Dimension)



		DRAWN MARY DATE 91.09.15	DIMENSIONS ARE IN MILLIMETERS		REVISION		
	<small>www.allconnectors.de Tel: 0049 733 7002842 20799 Filderstadt - Germany</small>	<small>info@allconnectors.de all 0049 733 7002841 20799 Filderstadt - Germany</small>	CHECKED 蘇姿潔 DATE	UNLESS OTHERWISE SPECIFIED TOLERANCE		DESCRIPTION	ENGINEER
	TITLE TNC MALE CRIMP FOR REVERSE POLARITY (RG 174/U)	Q.A. 馮健華 DATE	0.5-5=±0.2 120-315=±1 5-30=±0.4 315-1000=±1.6 30-120±0.6 1000-2000=±2.4				
	PART NO. TNC-05L-TGN-RP	APPROVAL 徐燦霖 DATE	SCALE 4:1	SIZE A			
	DRAWING NO. TNC 05L TGN RP	REVISION	DATE				