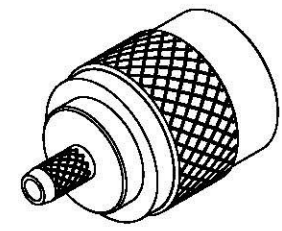
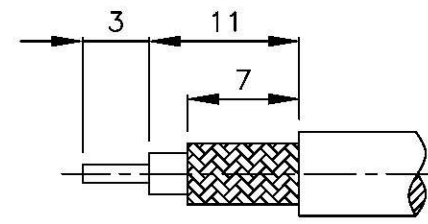
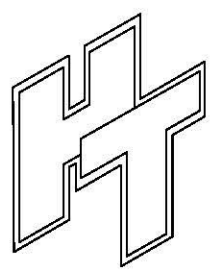
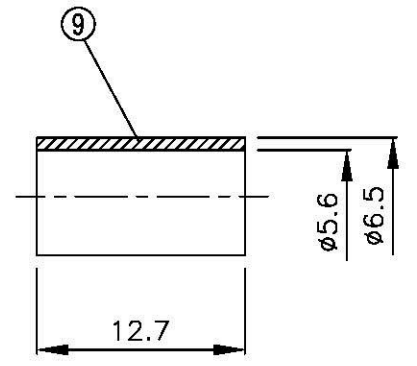
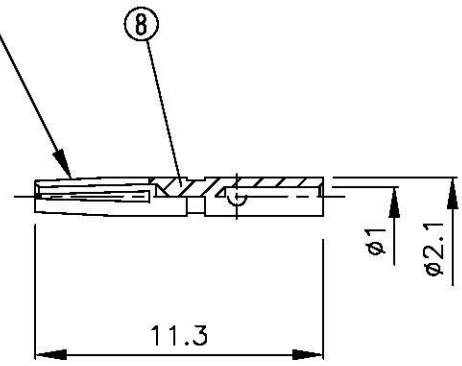
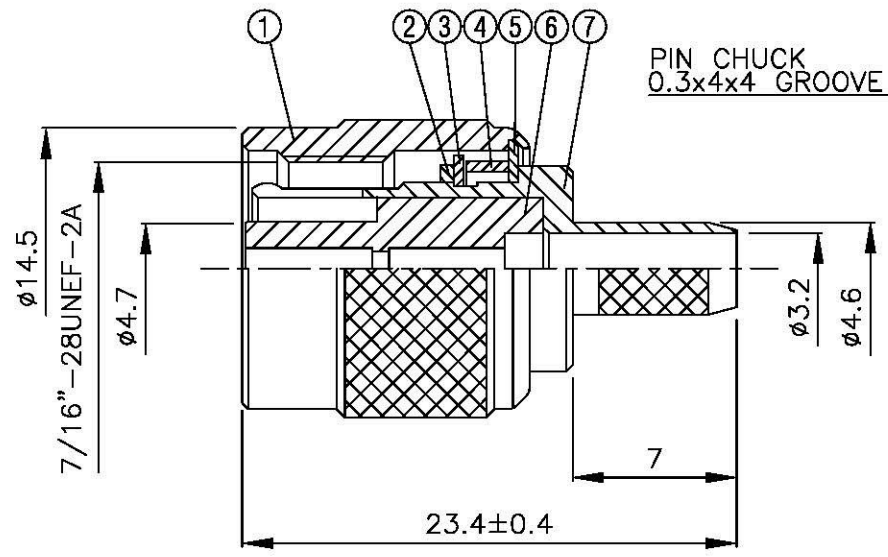


NO	DESCRIPTION	MATERIAL	Q'TY	FINISH	REMARK
1	BODY 1	BRASS	1	NICKEL	B-TNC0083-N
2	RUBBER	SI RUBBER	1	RUBBER	RU-0010
3	WASHER 1	BRASS	1	NICKEL	W-0026-N
4	WASHER 2	BRASS	1	NICKEL	W-0024-N
5	WASHER 3	BRASS	1	NICKEL	W-0025-N
6	INSULATION	TEFLON	1	TEFLON	I-0130T
7	BODY 2	BRASS	1	NICKEL	B-TNC0085-N
8	PIN	BRASS	1	GOLD	P-TNC0054-N
9	RING	BRASS	1	NICKEL	R-0007-N



(Recommended Stripping Dimension)



All Connectors
 www.allconnectors.de info@allconnectors.de
 Tel.: 049 733 709500 Fax: 049 733 709599
 70734 Ulmerstadt - Germany
TITLE TNC MALE CRIMP FOR REVERSE POLARITY (RG 58U, RG141A/U)
PART NO. TNC-05F-TGN-RP
DRAWING NO. TNC 05F TGN RP

DRAWN MARY **DATE 95.12.06**
CHECKED 黄巧君 **DATE**
Q.A. 蘇姿潔 **DATE**
APPROVAL 徐燦霖 **DATE**
REVISION **DATE**

DIMENSIONS ARE IN MILLIMETERS
UNLESS OTHERWISE SPECIFIED TOLERANCE
 0.5-5=±0.2 120-315=±1
 5-30=±0.4 315-1000=±1.6
 30-120±0.6 1000-2000=±2.4
SCALE 4:1 **SIZE A**

REVISION	
DESCRIPTION	ENGINEER