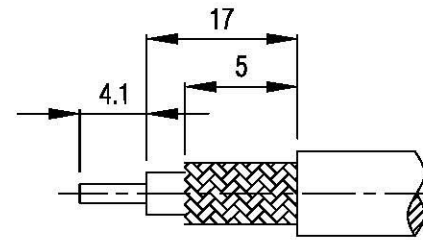
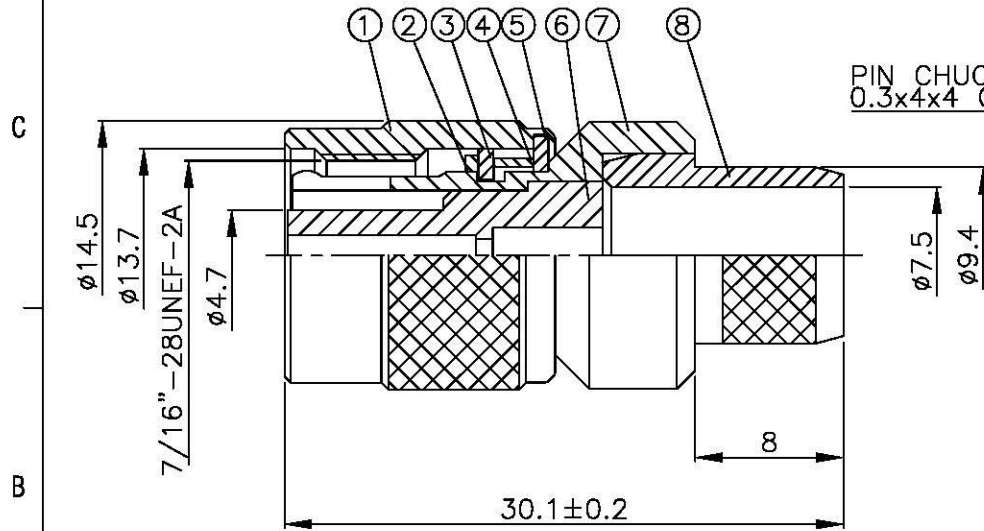
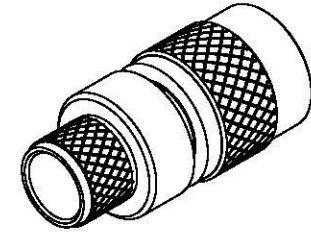


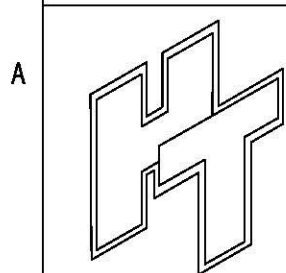
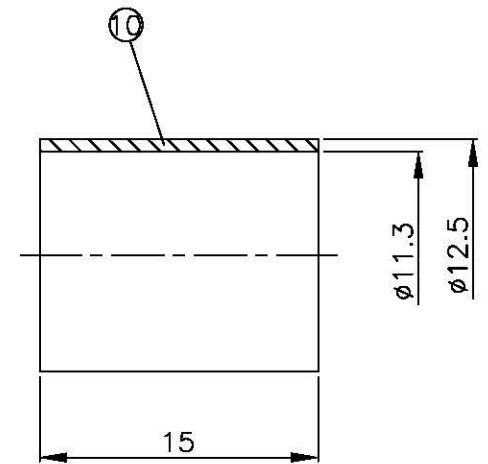
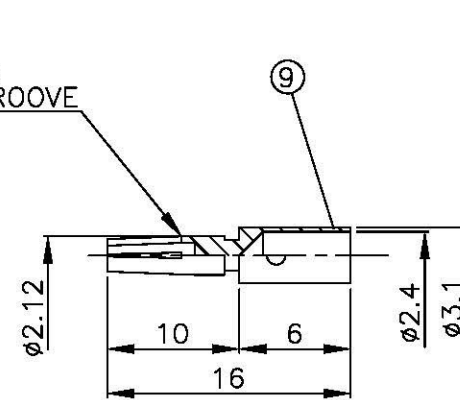
NO	DESCRIPTION	MATERIAL	Q'TY	FINISH	REMARK
1	BODY 1	BRASS	1	NICKEL	B-TNC0083-N
2	RUBBER	SI RUBBER	1	RUBBER	RU-0001
3	WASHER 1	BRASS	1	NICKEL	W-0026-N
4	WASHER 2	BRASS	1	NICKEL	W-0024-N
5	WASHER 3	BRASS	1	NICKEL	W-0025-N
6	INSULATION	TEFLON	1	TEFLON	I-0021T
7	BODY 2	BRASS	1	NICKEL	B-TNC0165-N
8	BODY 3	BRASS	1	NICKEL	B-N0050-N
9	PIN	BRASS	1	GOLD	P-TNC0110-G
10	RING	BRASS	1	NICKEL	R-0010-N



(Recommended Stripping Dimension)



PIN CHUCK
0.3x4x4 GROOVE



All Connectors

www.allconnectors.com info@allconnectors.com
Tel: 0049 711 400503 Fax: 0049 711 400504
70794 Eilderstraße, Germany September 20

TITLE TNC MALE CRIMP FOR
RG 213/U REVERSE POLARITY

PART NO. TNC-05B-TGN-RP

DRAWING NO. TNC 05B TGN RP

DRAWN MARY DATE 96.07.12

CHECKED 蘇志欣 DATE

Q.A. 蘇姿潔 DATE

APPROVAL 徐燦霖 DATE

REVISION DATE

DIMENSIONS ARE IN MILLMETERS

UNLESS OTHERWISE SPECIFIED
TOLERANCES

0.5-5=±0.2 120-315=±1
5-30=±0.4 315-1000=±1.6
30-120=±0.6 1000-2000=±2.4

SCALE 4:1 SIZE A

REVISION

DESCRIPTION ENGINEER