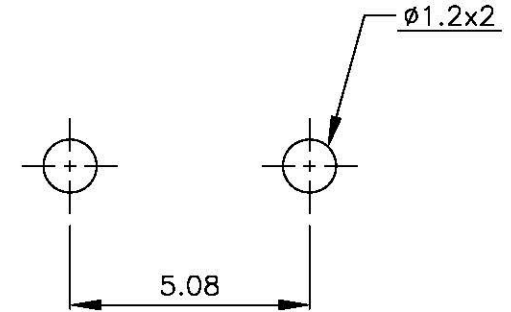
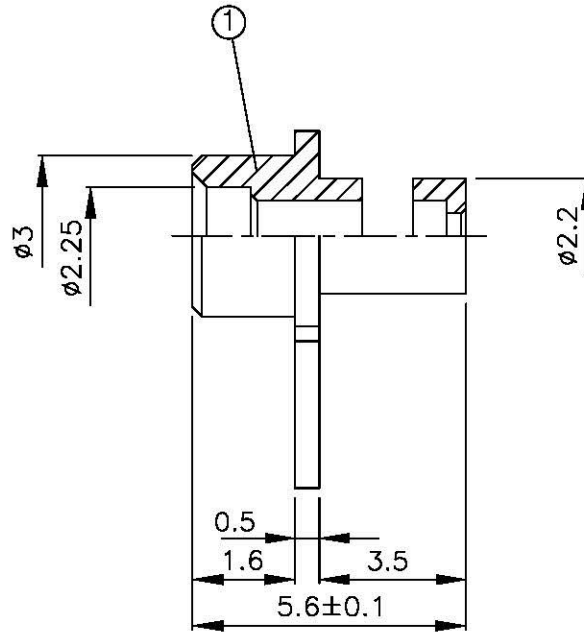
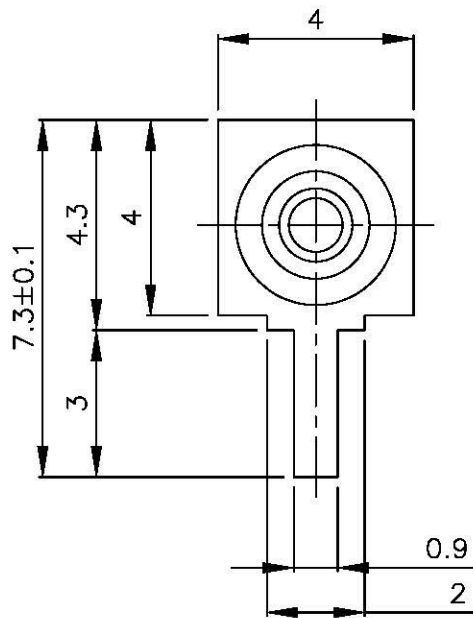
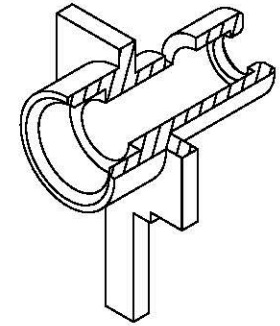
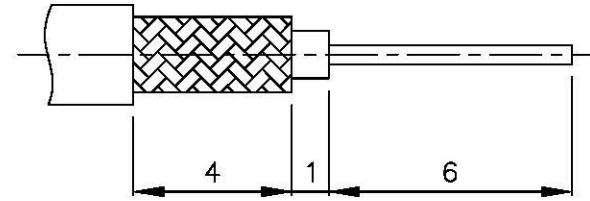
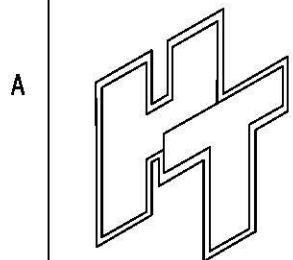


NO	DESCRIPTION	MATERIAL	Q'TY	FINISH	REMARK
1	BODY 1	BRASS	1	GOLD	B-TM0411-G



PCB MOUNTING



HUS-TSAN GROUP CO., LTD.
P.O. BOX 40-76.TAINAN.TAIWAN,R.O.C.
TITLE TM RIGHT ANGLE PCB CABLE TERMINATORS FOR RG 178/U
PART NO. TM-10M-TG
DRAWING NO. TM 10M TG

DRAWN MARY	DATE 96.07.06
CHECKED 蘇志欣	DATE
Q.A. 蘇姿潔	DATE
APPROVAL 徐燦霖	DATE
REVISION	DATE

DIMENSIONS ARE IN MILLIMETERS			
UNLESS OTHERWISE SPECIFIED TOLERANCE			
0.5-5=±0.2	120-315=±1		
5-30=±0.4	315-1000=±1.6		
30-120±0.6	1000-2000=±2.4		
SCALE 4:1	SIZE A		

REVISION	
DESCRIPTION	ENGINEER