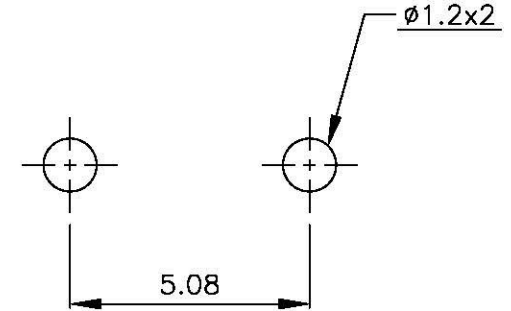
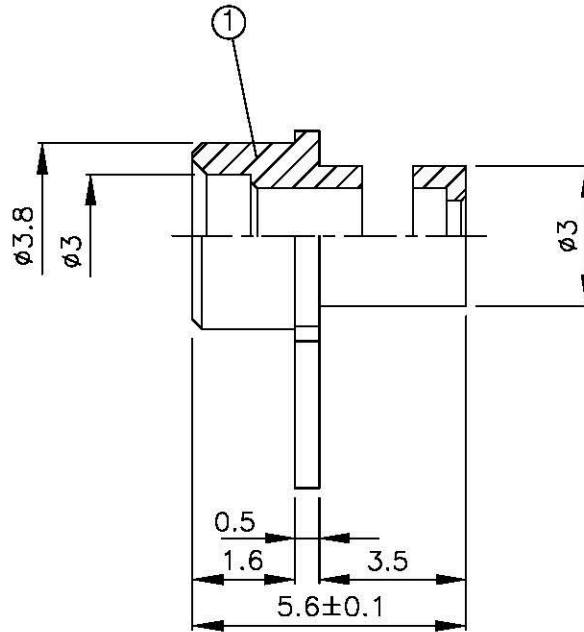
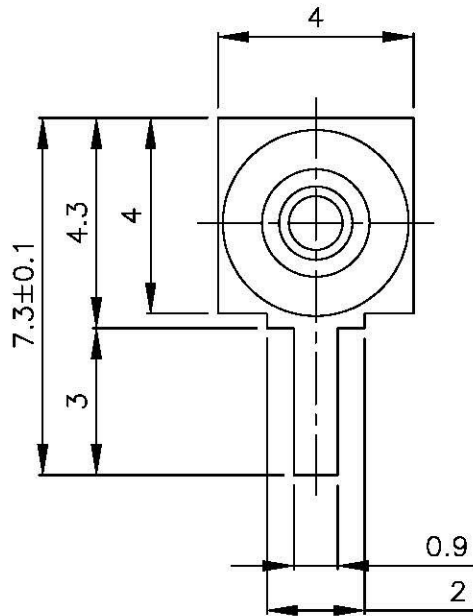
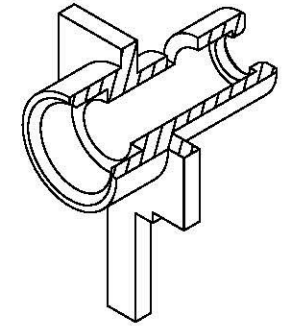
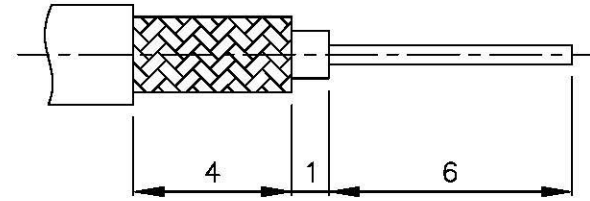


NO	DESCRIPTION	MATERIAL	Q'TY	FINISH	REMARK
1	BODY 1	BRASS	1	GOLD	B-TM0410-G



		<b>DRAWN</b> MARY <b>DATE</b> 96.07.06	<b>DIMENSIONS ARE IN MILLIMETERS</b>		<b>REVISION</b>		
	<small>www.allconnectors.de Tel.: 0049 7141 7009208 70724 Filderstadt - Germany</small>	<small>info@allconnectors.de Fax: 0049 7141 7009204 Kellernstr. 25</small>	<b>CHECKED</b> 蘇志欣 <b>DATE</b>	<b>UNLESS OTHERWISE SPECIFIED TOLERANCE</b>		<b>DESCRIPTION</b>	<b>ENGINEER</b>
	<b>TITLE</b> TM RIGHT ANGLE PCB CABLE TERMINATORS FOR RG 316/U		<b>Q.A.</b> 蘇姿潔 <b>DATE</b>	0.5-5=±0.2    120-315=±1 5-30= ±0.4    315-1000=±1.6 30-120±0.6    1000-2000=±2.4			
	<b>PART NO.</b> TM-10LV1-TG		<b>APPROVAL</b> 徐燦霖 <b>DATE</b>	<b>SCALE</b> 4:1 <b>SIZE</b> A			
	<b>DRAWING NO.</b> TM 10LV1 TG		<b>REVISION</b> <b>DATE</b>				