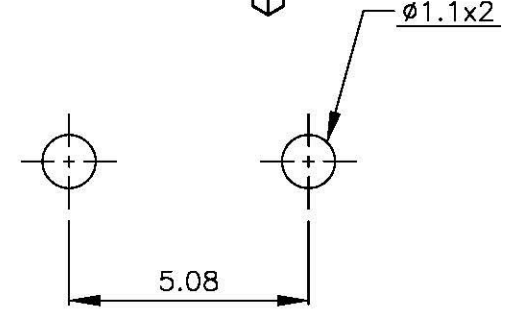
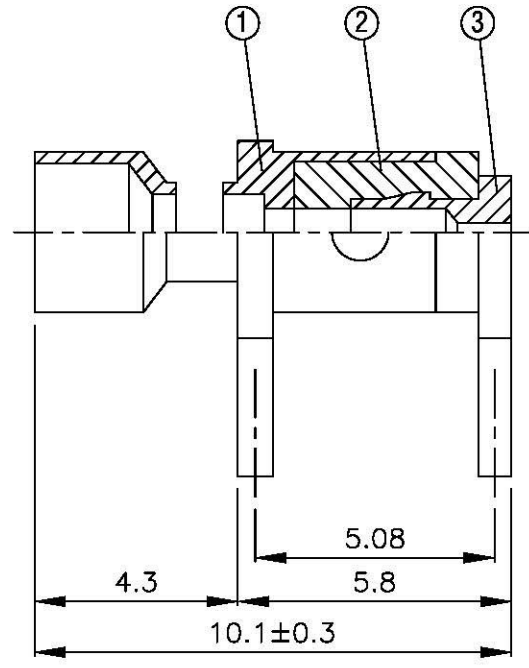
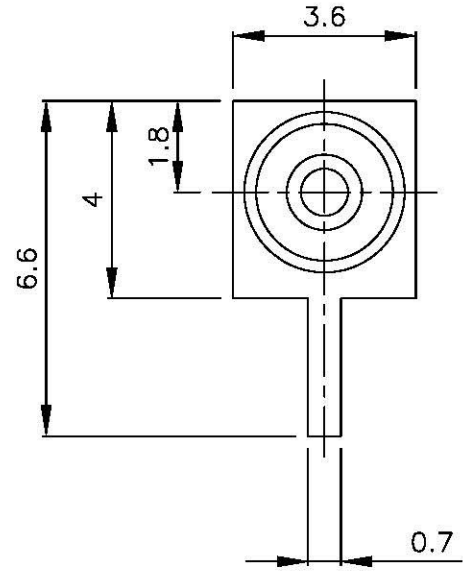
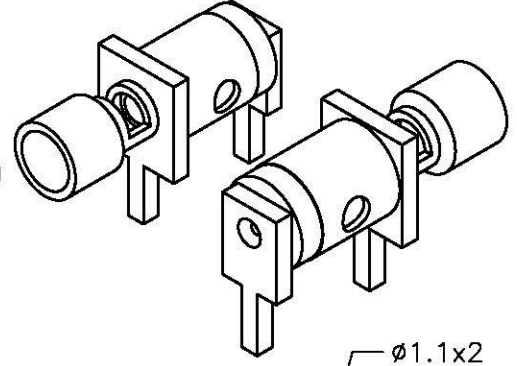
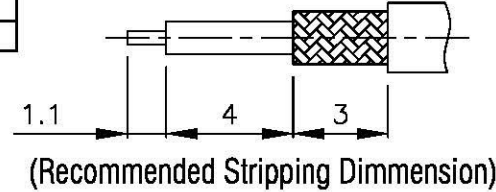
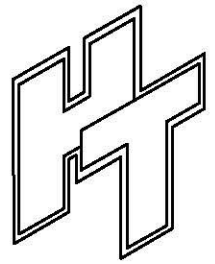


NO	DESCRIPTION	MATERIAL	Q'TY	FINISH	REMARK
1	BODY 1	BRASS	1	GOLD	B-TM0991-G
2	INSULATION	TEFLON	1	TEFLON	I-0194T
3	BODY 2	BRASS	1	GOLD	B-TM0992-G



版本更新
請以本圖加工
C
95/05/10



All Connectors
www.allconnectors.de info@allconnectors.de
Tel.: 0049 (0) 7035209 Fax: 0049 (0) 7035204
70724 Filderstadt - Germany Kettestraße, 25

TITLE **TM RIGHT ANGLE PCB CABLE TERMINATORS FOR RG178/U**

PART NO. **TM-09M-TG-1**

DRAWING NO. **TM-09M-TG-1**

DRAWN	MARY	DATE	91.12.25
CHECKED	蘇姿潔	DATE	
Q.A.	馮健華	DATE	
APPROVAL	徐燦霖	DATE	
REVISION		DATE	

DIMENSIONS ARE IN MILLIMETERS

UNLESS OTHERWISE SPECIFIED TOLERANCE

0.5-5=±0.2	120-315=±1
5-30=±0.4	315-1000=±1.6
30-120±0.6	1000-2000=±2.4

SCALE | 4:1 | SIZE | A

REVISION	
DESCRIPTION	ENGINEER