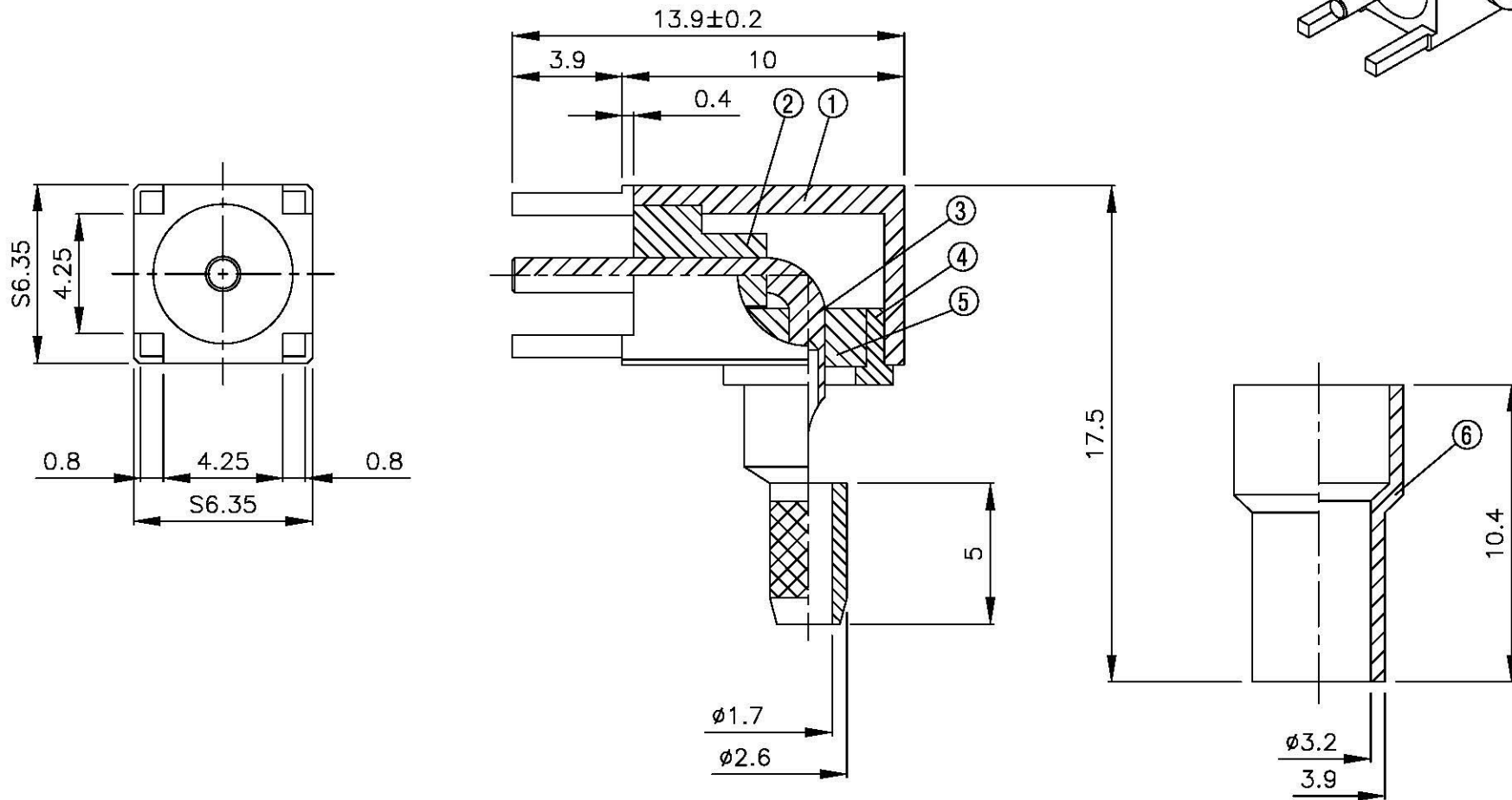
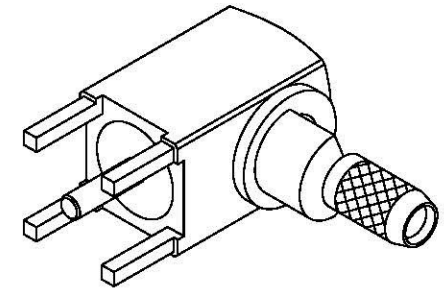
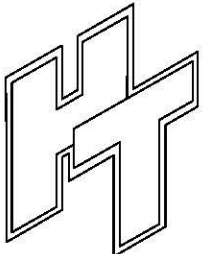


NO	DESCRIPTION	MATERIAL	Q'TY	FINISH	REMARK
1	BODY 1	BRASS	1	NICKEL	B-SMA0086-N
2	INSULATION 1	TEFLON	1	TEFLON	I-0127T
3	PIN	BRASS	1	GOLD	P-TM0331-G
4	BODY 2	BRASS	1	NICKEL	B-TM0489-N
5	INSULATION 2	TEFLON	1	TEFLON	I-0241T
6	RING	BRASS	1	NICKEL	R-0046-N



	<b>All Connectors</b> <small>www.allconnectors.de    info@allconnectors.de          Tel: 0049 211 7009583    Fax: 0049 211 7009591          70794 Filberstadt - Germany    Kellerstr. 25</small>	DRAWN MARY    DATE 96.07.06	DIMENSIONS ARE IN MILLIMETERS		REVISION	
		CHECKED 蘇志欣    DATE	UNLESS OTHERWISE SPECIFIED TOLERANCE		DESCRIPTION	ENGINEER
		Q.A. 蘇姿潔    DATE	0.5-5=±0.2	120-315=±1		
		APPROVAL 徐燦霖    DATE	5-30=±0.4	315-1000=±1.6		
		REVISION    DATE	30-120±0.6	1000-2000=±2.4		
TITLE <b>TM RIGHT ANGLE PCB CABLE TERMINATORS FOR RG316/U</b>	PART NO. <b>TM-08LV1-TGN</b>	DRAWING NO. <b>TM 08LV1 TGN</b>	SCALE 4:1    SIZE A			