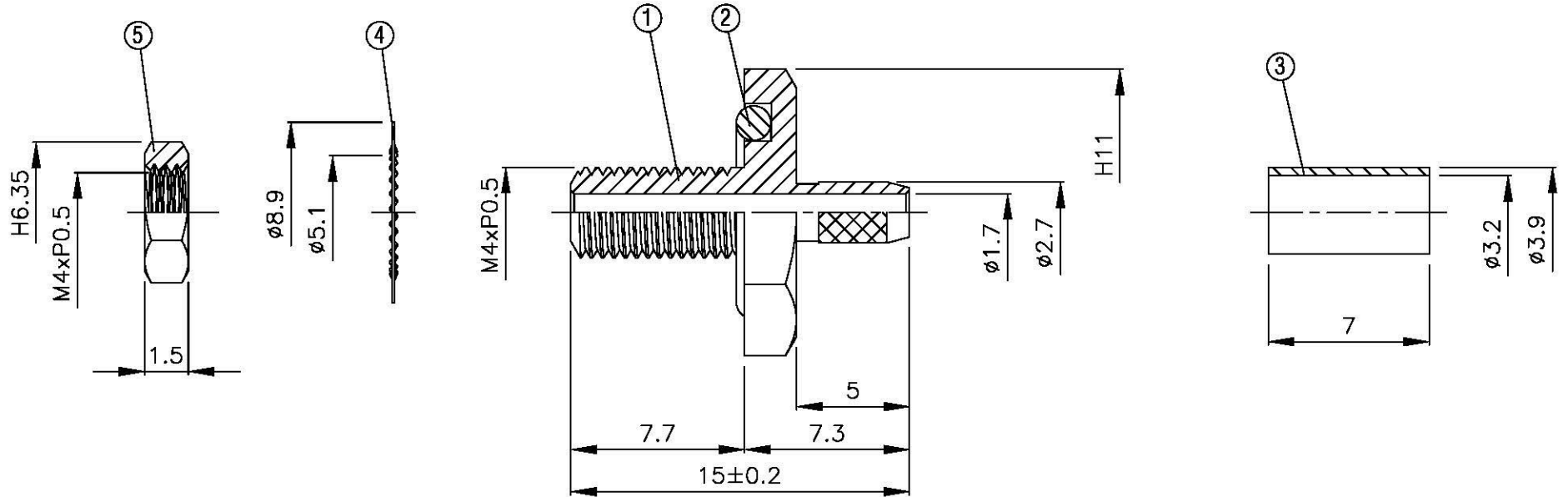
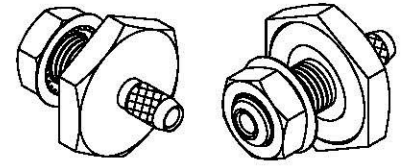
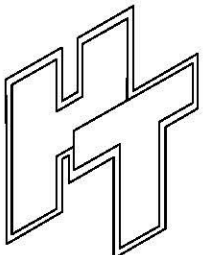



NO	DESCRIPTION	MATERIAL	Q'TY	FINISH	REMARK
1	BODY	BRASS	1	GOLD	B-TM0646-G
2	GASKET	SI RUBBER	1	RUBBER	RU-0014
3	RING	BRASS	1	GOLD	R-0001-G
4	WASHER	BRASS	1	GOLD	W-0016-G
5	NUT	BRASS	1	GOLD	N-0031-G



	 <small>www.allconnectors.de info@allconnectors.de Tel.: 0340 711 7009501 Fax: 0340 711 7009504 70794 Filbersdorf - Germany Kellernstr. 25</small>	DRAWN MARY DATE 96.07.06	DIMENSIONS ARE IN MILLIMETERS		REVISION	
	TITLE TM CRIMP FOR RG-174/U	CHECKED 蘇志欣 DATE	UNLESS OTHERWISE SPECIFIED TOLERANCE		DESCRIPTION	ENGINEER
	PART NO. TM-01LV1-G	Q.A. 蘇姿潔 DATE	0.5-5=±0.2	120-315=±1		
	DRAWING NO. TM 01LV1 G	APPROVAL 徐燦霖 DATE	5-30=±0.4	315-1000=±1.6		
		REVISION DATE	30-120±0.6	1000-2000=±2.4		
		SCALE 4:1	SIZE A			