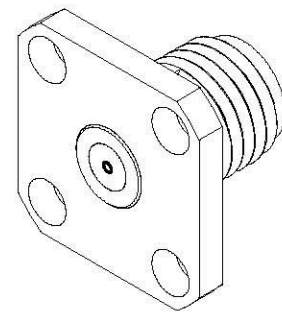
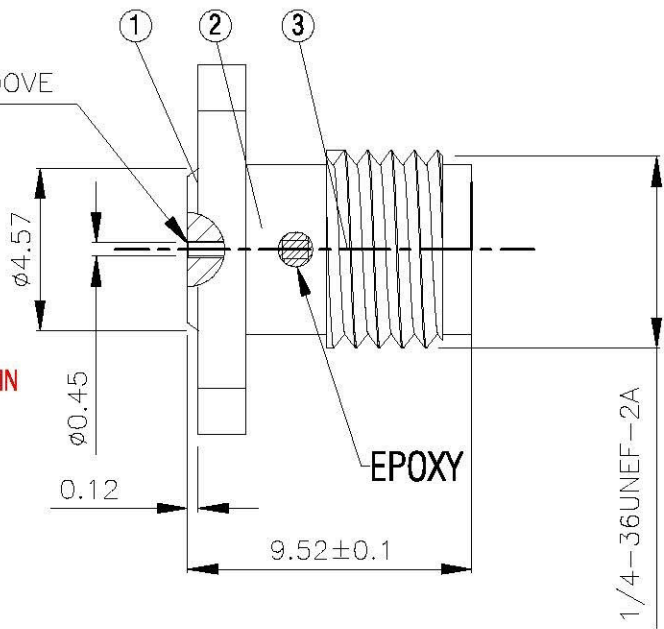


NO	DESCRIPTION	MATERIAL	Q'TY	FINISH	REMARK
1	WAHER	BRASS	1	GOLD	W-0015-G
2	BODY	BRASS	1	NICKEL	B-SUMA1631-N
3	INSULATION	TEFLON	1	TEFLON	I-0723T
4	PIN	BE CU	1	GOLD	P-SUMA1088-G-2

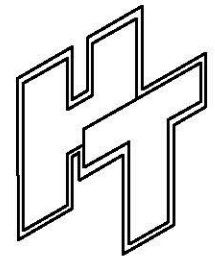
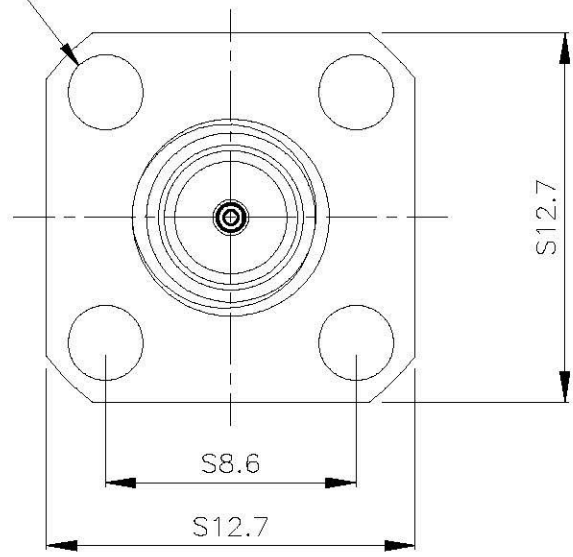


PIN CHUCK
0.2X2X2 GROOVE

ACCEPT 0.38 MM PIN



∅2.6X4



All Connectors
www.allconnectors.de
Tel: 0049 711 7009305
70794 Fellmersfeld Germany

Info@allconnectors.de
Fax: 0049 711 7009304
Kellertstraße 25

TITLE SUPER SMA FEMALE
LAUNCHERS WITH TRANSITION PINS

PART NO. SUSMA-07V4-TGSUS-2

DRAWING NO. SUSMA-07V4-TGSUS-2

DRAWN 蘇姿潔

CHECKED 蘇志欣

Q.A. 莊千慧

APPROVAL 徐燦霖

REVISION

DATE 99.12.01

DATE 99.12.01

DATE

DATE

DATE

DIMENSIONS ARE IN MILLIMETERS

UNLESS OTHERWISE SPECIFIED TOLERANCE

0.5-5=±0.2	120-315=±1
5-30=±0.4	315-1000=±1.6
30-120=±0.6	1000-2000=±2.4

SCALE 4:1 **SIZE** A

REVISION	
DESCRIPTION	ENGINEER