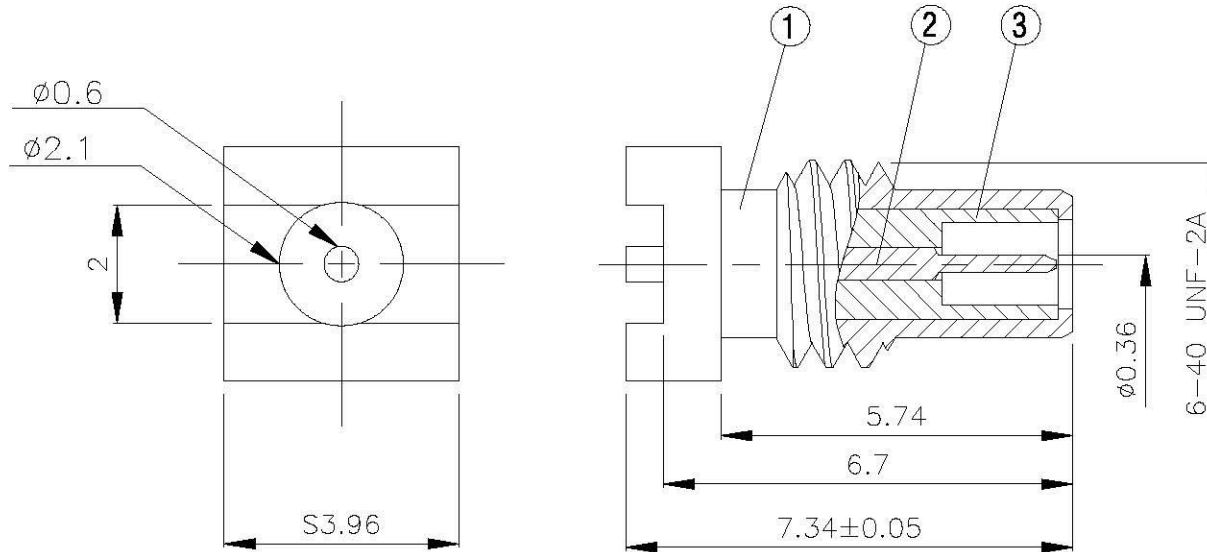
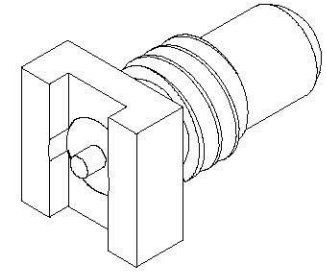



NO	DESCRIPTION	MATERIAL	Q'TY	FINISH	REMARK
1	BODY 1	BRASS	1	GOLD	B-SSMC0244-G
2	PIN	PH.BRONZE	1	GOLD	P-SSMB0499-G
3	INSULATION	TEFLON	1	TEFLON	I-0215T



	 <small>www.allconnectors.de Tel.: 0049 /31 / 700500 70294 Eilendorfstr. Germany</small> <small>Info@allconnectors.de Fax: 0049 /31 / 700504 kennzeichen: 25</small>	DRAWN MARY DATE 98.02.04	DIMENSIONS ARE IN MILLIMETERS			REVISION		
		CHECKED 	DATE	UNLESS OTHERWISE SPECIFIED TOLERANCE			DESCRIPTION	ENGINEER
		Q.A. 	DATE	0.5-5=±0.2 120-315=±1				
		APPROVAL 	DATE	5-30= ±0.4 315-1000=±1.6				
		REVISION	DATE	30-120±0.6 1000-2000=±2.4	SCALE 4:1	SIZE A		
TITLE SSMC MALE SURFACE MOUNT RECEPTACLES	PART NO. SSMC-14-TGG	DRAWING NO. SSMC 14 TGG						