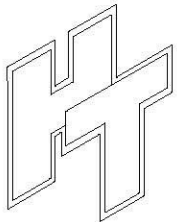
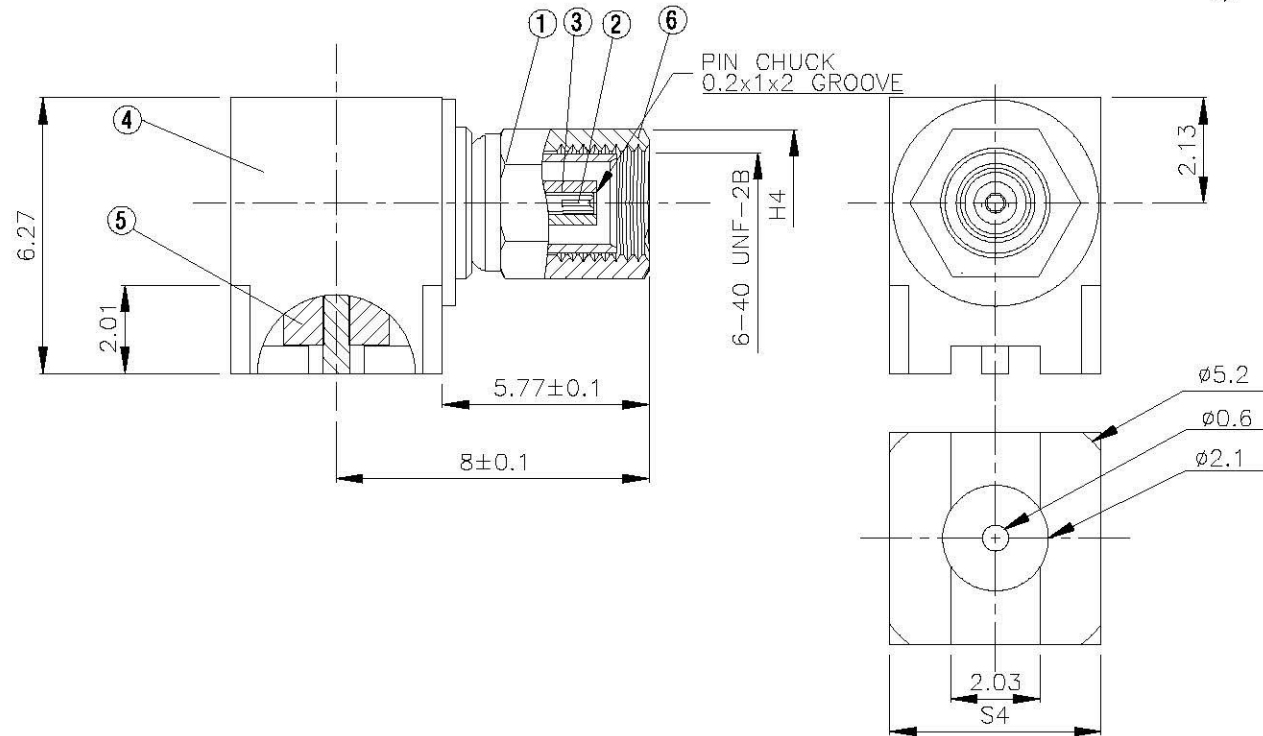
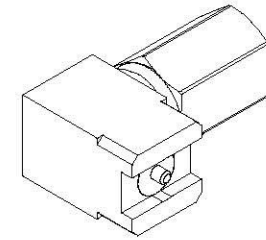


NO	DESCRIPTION	MATERIAL	Q'TY	FINISH
1	BODY 1	BRASS	1	GOLD
2	PIN	PH.BRONZE	1	GOLD
3	INSULATION 1	TEFLON	1	TEFLON
4	BODY 2	BRASS	1	GOLD
5	INSULATION 2	TEFLON	1	TEFLON
6	BODY 3	BRASS	1	GOLD



Allconnectors
 www.allconnectors.de
 Tel: 0344 211 30990
 40754 Hildesheim, Germany

TITLE SSMC FEMALE RIGHT ANGLE RECEPTACLES

PART NO. SSMC-13-TGG

DRAWING NO. SSMC 13 TGG

DRAWN	蘇姿潔	DATE	97.11.17
CHECKED	蘇志欣	DATE	
Q.A.	林妙樺	DATE	
APPROVAL	徐燦霖	DATE	
REVISION		DATE	

DIMENSIONS ARE IN MILLIMETERS			
UNLESS OTHERWISE SPECIFIED TOLERANCE			
0.5-5=±0.2	120-315=±1		
5-30=±0.4	315-1000=±1.6		
30-120=±0.6	1000-2000=±2.4		
SCALE	4:1	SIZE	A

REVISION	
DESCRIPTION	ENGINEER