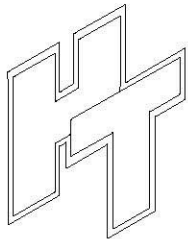
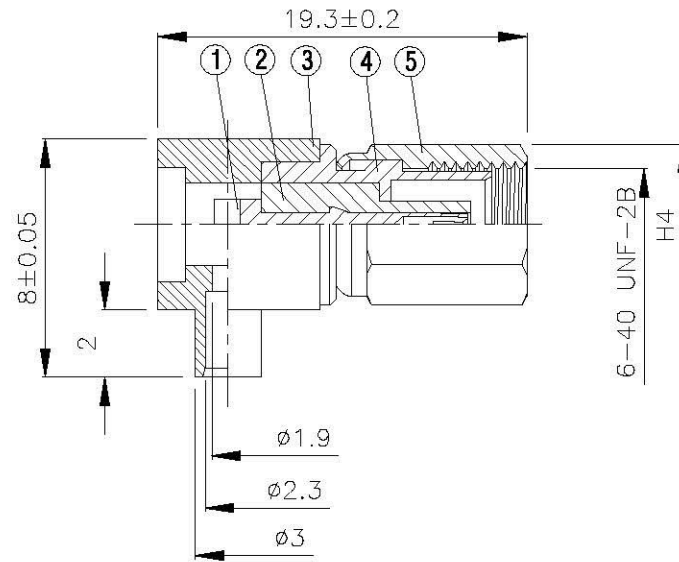
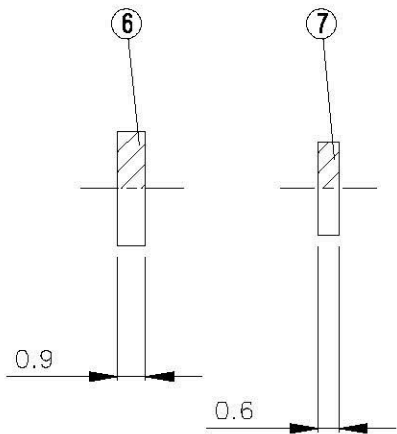
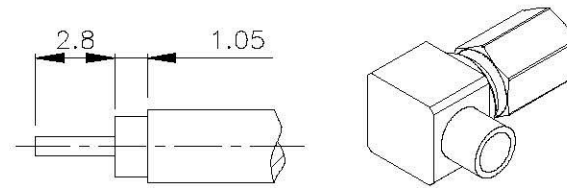


NO	DESCRIPTION	MATERIAL	Q'TY	FINISH	REMARK
1	PIN	BE CU	1	GOLD	P-SSMC0303--G
2	INSULATION 1	TEFLON	1	TEFLON	I-0223T
3	BODY 1	BRASS	1	GOLD	B-SSMC1025-G
4	BODY 2	BE CU	1	GOLD	B-SSMC0464-G
5	BODY 3	BRASS	1	GOLD	B-SSMC0465-G
6	WASHER	BRASS	1	GOLD	W-0017-G
7	INSULATION 2	TEFLON	1	TEFLON	I-0113T



All Connectors

www.allconnectors.com info@allconnectors.com
TEL: 0249 711 7009208 FAX: 0249 711 7009204
70754 Filzschot Germany KEMMELSTR. 25

TITLE SSMC FEMALE AMGLE SOLDER FOR RG 405(.085")

PART NO. SSMC-02V1-TGG

DRAWING NO. SSMC-02V1-TGG

DRAWN MARY DATE 94.11.30

CHECKED 沈佳憫 DATE 94.11.30

Q.A. 蘇姿潔 DATE

APPROVAL 徐燦霖 DATE

REVISION DATE

DIMENSIONS ARE IN MILLMETERS

UNLESS OTHERWISE SPECIFIED TOLERANCE

0.5-5=±0.2 120-315=±1
5-30=±0.4 315-1000=±1.6
30-120=±0.6 1000-2000=±2.4

SCALE 4:1 SIZE A

REVISION

DESCRIPTION ENGINEER

4

3

2

1

D

C

B

A

D

C

B

A