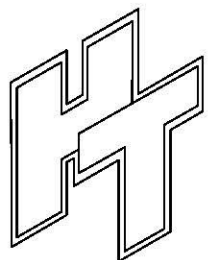
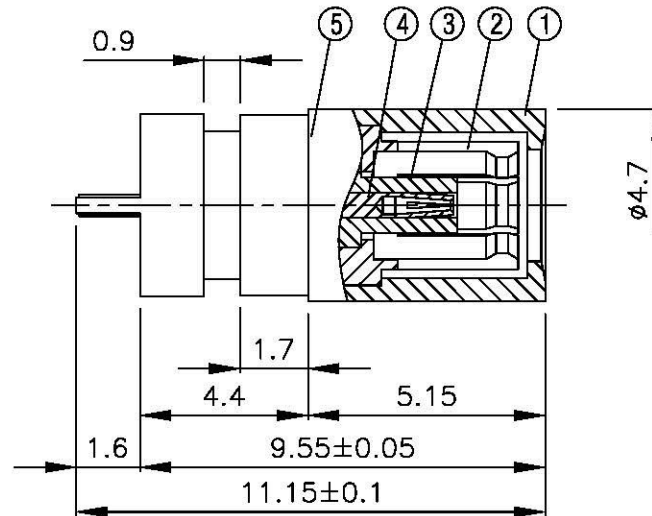
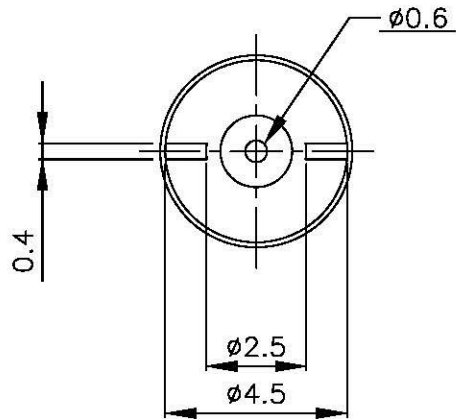
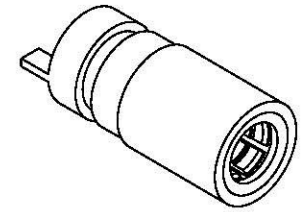


NO	DESCRIPTION	MATERIAL	Q'TY	FINISH	REMARK
1	BODY 1	BRASS	1	GOLD	B-SSMB0916-G
2	BODY 2	BE CU	1	GOLD	B-SSMB0917-G
3	INSULATION 1	TEFLON	1	TEFLON	I-0447T
4	PIN	BE CU	1	GOLD	P-SSMB0644-G
5	BODY 3	BRASS	1	GOLD	B-SSMB0912-G



**Allconnectors**  
 www.allconnectors.de  
 Tel.: 0049 711 7009503  
 70754 Hildersheim - Germany  
 info@allconnectors.de  
 Fax: 0049 711 7009504  
 Kettnerstr. 25

TITLE **SSMB FEMALE EXTENDED**

PART NO. **SSMB-18-TGG**

DRAWING NO. **SSMB 18 TGG**

DRAWN **MARY** DATE **94.05.05**

CHECKED **蘇姿潔** DATE

Q.A. **馮健華** DATE

APPROVA **徐燦霖** DATE

REVISION DATE

DIMENSIONS ARE IN MILLIMETERS

UNLESS OTHERWISE SPECIFIED  
TOLERANCE

XX= ±0.05

XX= ±0.1

X= ±2

ANGLE= ±2°

SCALE **4:1** SIZE **A**

REVISION

DESCRIPTION ENGINEER