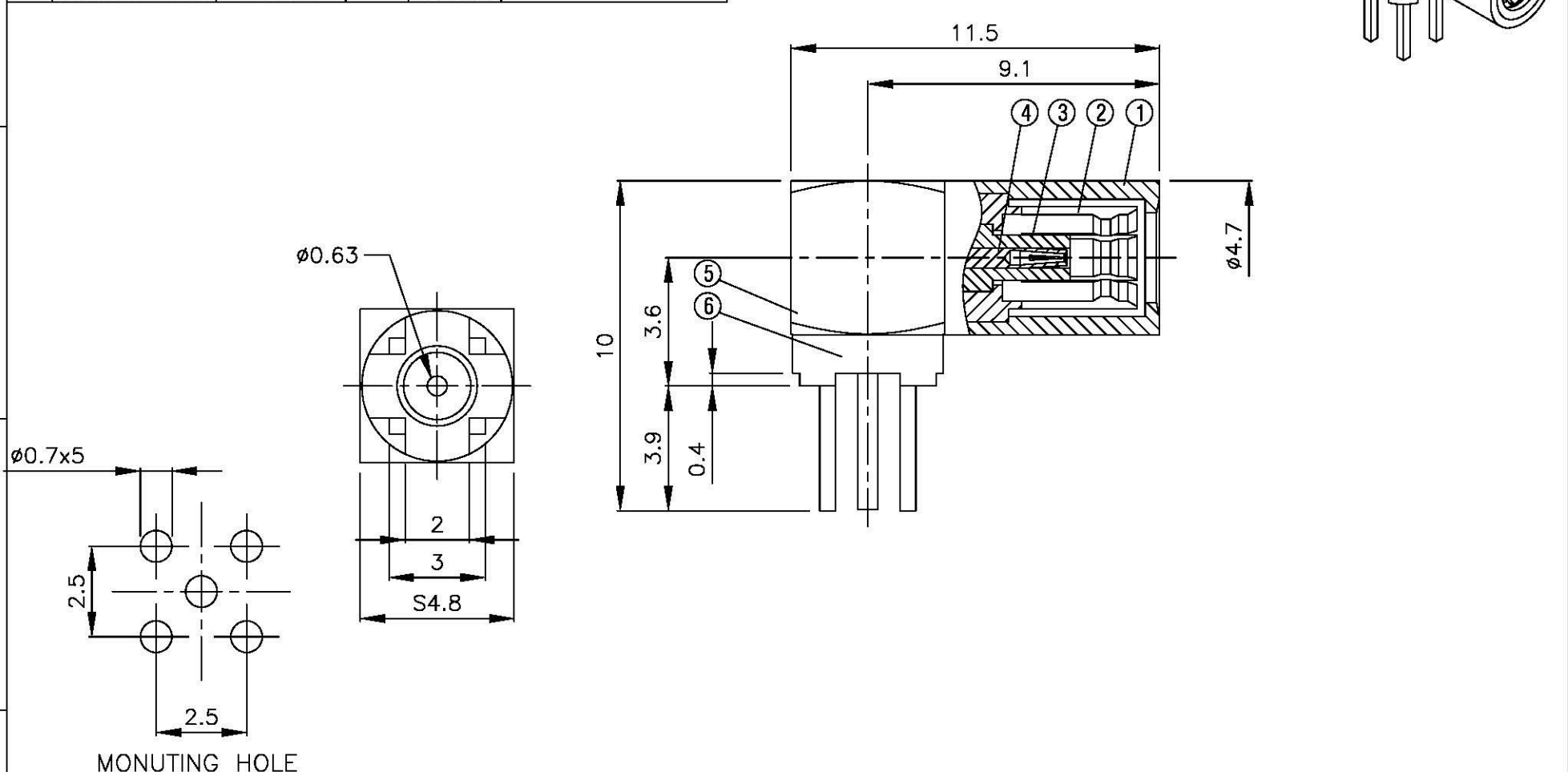
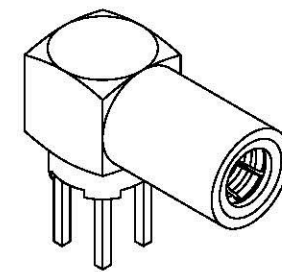


NO	DESCRIPTION	MATERIAL	Q'TY	FINISH	REMARK
1	BODY 1	BRASS	1	GOLD	B-SSMB0242-G
2	BODY 2	BRASS	1	GOLD	B-SSMB0898-G
3	INSULATION 1	TEFLON	1	TEFLON	I-0433T
4	PIN	BE CU	1	GOLD	P-SSMB0628-G
5	BODY 3	BRASS	1	GOLD	B-SSMB0899-G
2	INSULATION 2	TEFLON	1	TEFLON	I-0434T



	<b>All Connectors</b> <small>www.allconnectors.de Tel.: 0049 711 7003509 30794 Allendorf, Germany</small>	DRAWN <b>MARY</b> DATE 94.03.10	DIMENSIONS ARE IN MILLIMETERS		REVISION	
	TITLE <b>SSMB FEMALE RIGHT ANGLE PCB RECEPTACLES</b>	CHECKED <b>蘇姿潔</b> DATE	UNLESS OTHERWISE SPECIFIED TOLERANCE XX = ±0.05 X.X = ±0.1 X = ±2 ANGLE = ±2°		DESCRIPTION	ENGINEER
	PART NO. <b>SSMB-16-TGG</b>	Q.A. <b>馮健華</b> DATE				
	DRAWING NO. <b>SSMB 16 TGG</b>	APPROVA <b>徐燦霖</b> DATE				
		REVISION DATE	SCALE <b>4:1</b>	SIZE <b>A</b>		