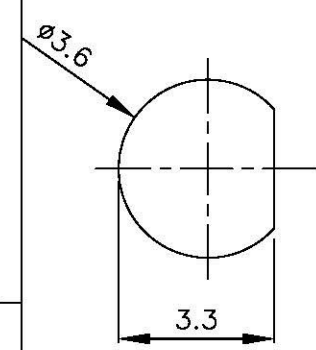
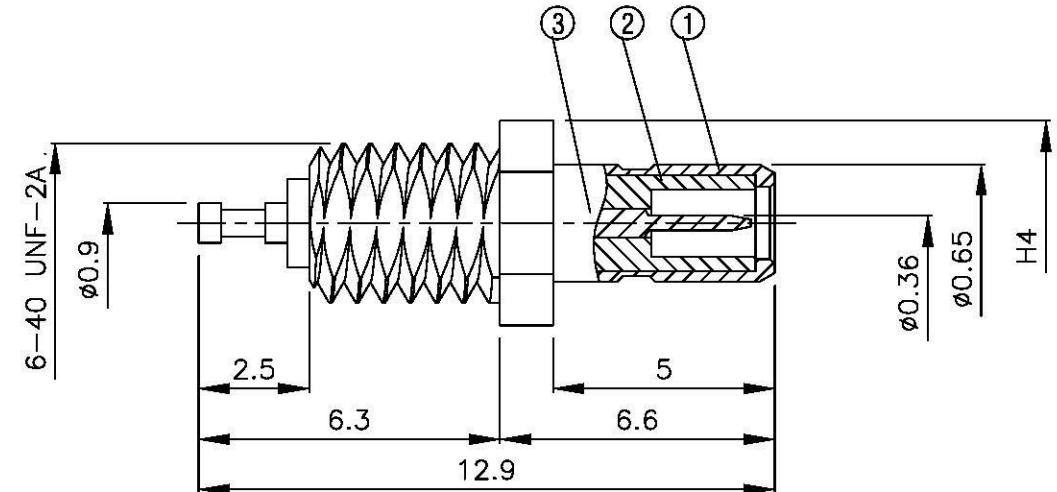
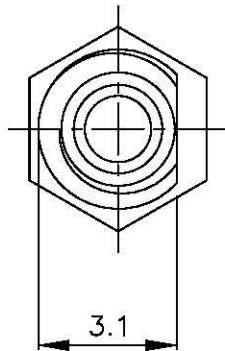
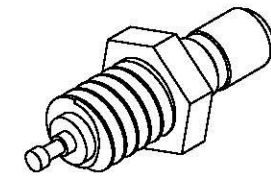
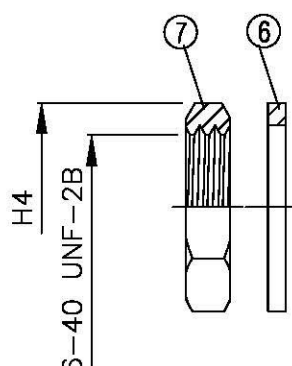
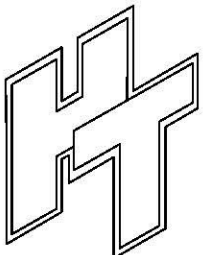



NO	DESCRIPTION	MATERIAL	Q'TY	FINISH	REMARK
1	BODY 1	BRASS	1	GOLD	B-SSMB0896-G
2	INSULATION 1	TEFLON	1	TEFLON	I-0432T
3	PIN	BRASS	1	GOLD	P-SSMB0627-G
4	WASHER	BRASS	1	GOLD	W-0060-G
5	NUT	BRASS	1	GOLD	N-0034-G



MONUTING HOLE



		DRAWN MARY DATE 94.03.10	DIMENSIONS ARE IN MILLIMETERS		REVISION		
	<small>www.allconnectors.de Tel: 0049 30 400000 20794 Fildesbach - Germany</small>	<small>Info@allconnectors.de Tel: 0049 30 400000 Kottensistr. 25</small>	CHECKED 蘇姿潔 DATE	UNLESS OTHERWISE SPECIFIED TOLERANCE XX= ±0.05 X.X= ±0.1 X= ±2 ANGLE= ±2°		DESCRIPTION	ENGINEER
	TITLE SSMB MALE STRAIGHT BULKHEAD RECEPTACLES		Q.A. 馮健華 DATE				
	PART NO. SSMB-15V4-TGG		APPROVA 徐燦霖 DATE				
	DRAWING NO. SSMB 15V4 TGG		REVISION DATE			SCALE 4:1	SIZE A