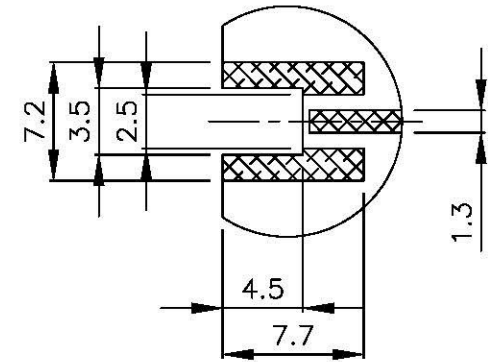
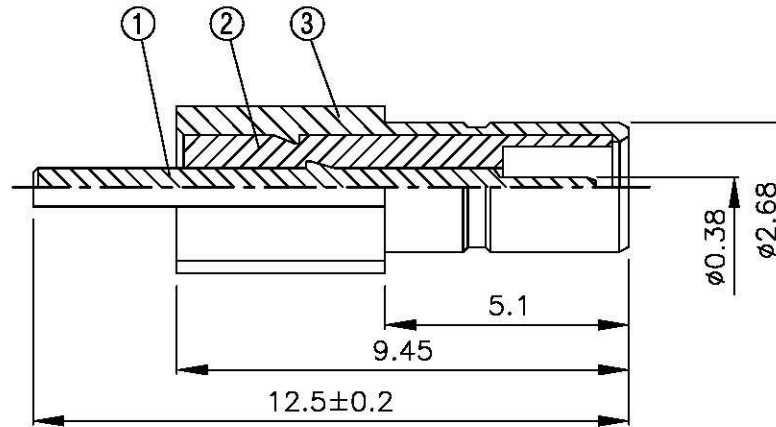
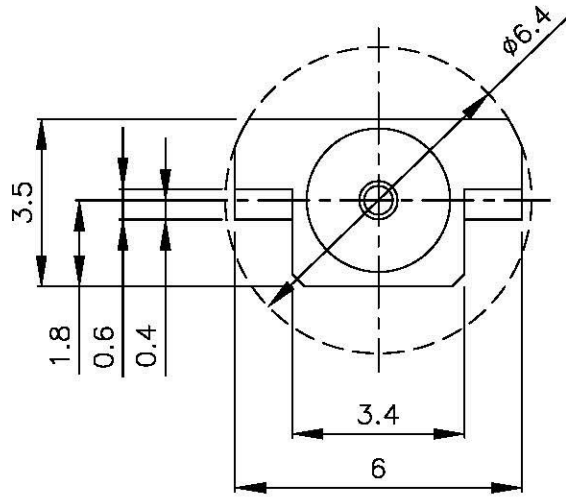
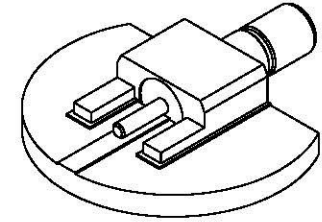


NO	DESCRIPTION	MATERIAL	Q'TY	FINISH	REMARK
1	PIN	PH.BRONZE	1	GOLD	P-SSMB0602-G
2	INSULATION	TEFLON	1	TEFLON	I-0416T
3	BODY 1	BRASS	1	GOLD	B-SSMB0862-G



		DRAWN MARY DATE 94.02.03	DIMENSIONS ARE IN MILLIMETERS		REVISION		
	<small>www.allconnectors.de Tel.: 0049 711 7007503 70745 Hildesheim, Germany</small>	<small>info@allconnectors.de Tel.: 0049 711 7007504 Kornackerstr. 25</small>	CHECKED 蘇姿潔 DATE	UNLESS OTHERWISE SPECIFIED TOLERANCE		DESCRIPTION	ENGINEER
	TITLE SSMB PLUG FOR HORIZONTAL APPLICATIONS		Q.A. 馮健華 DATE			0.5-5=±0.2	120-315=±1
	PART NO. SSMB-09-TGG		APPROVAL 徐燦霖 DATE	5-30=±0.4	315-1000=±1.6		
	DRAWING NO. SSMB 09 TGG		REVISION DATE	30-120±0.6	1000-2000=±2.4		
			SCALE 4:1	SIZE A			