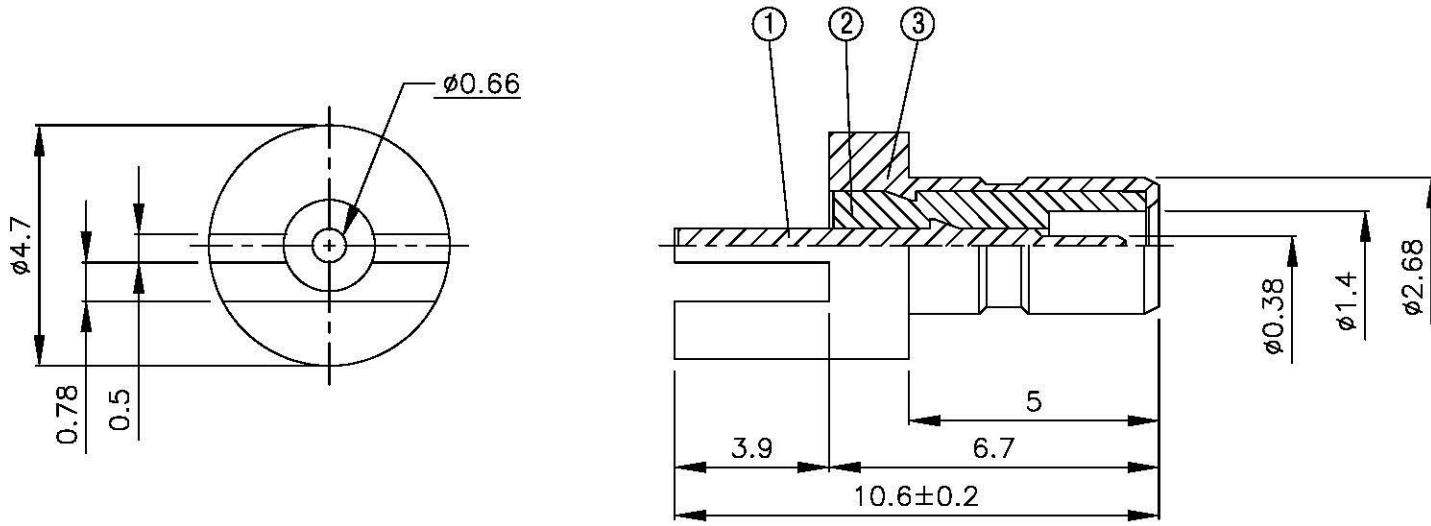
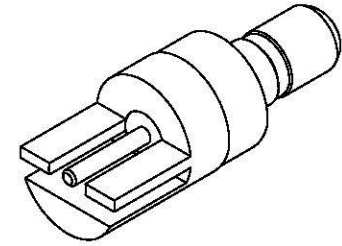
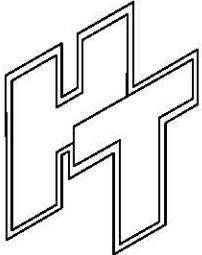



NO	DESCRIPTION	MATERIAL	Q'TY	FINISH	REMARK
1	PIN	PH.BRONZE	1	GOLD	P-SSMB0294-G
2	INSULATION	TEFLON	1	TEFLON	I-0215T
3	BODY 1	BRASS	1	GOLD	B-SSMB0449-G



		DRAWN MARY DATE 96.07.05	DIMENSIONS ARE IN MILLIMETERS		REVISION	
	<small>www.allconnectors.com Tel: 0049 711 2181014 0049 14321247-1 Germany</small>	CHECKED 蘇志欣 DATE	UNLESS OTHERWISE SPECIFIED TOLERANCE		DESCRIPTION	ENGINEER
	TITLE SSMB PLUG STRAIGHT END LAUNCH RECEPTACLES	Q.A. 蘇姿潔 DATE	0.5-5=±0.2    120-315=±1 5-30=±0.4    315-1000=±1.6 30-120±0.6    1000-2000=±2.4			
	PART NO. SSMB-07V6-TGG	APPROVAL 徐燦霖 DATE	SCALE 4:1    SIZE A			
	DRAWING NO. SSMB 07V6 TGG	REVISION DATE				