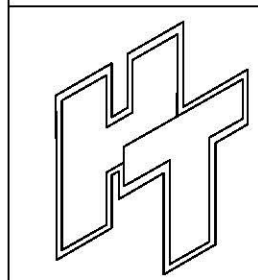
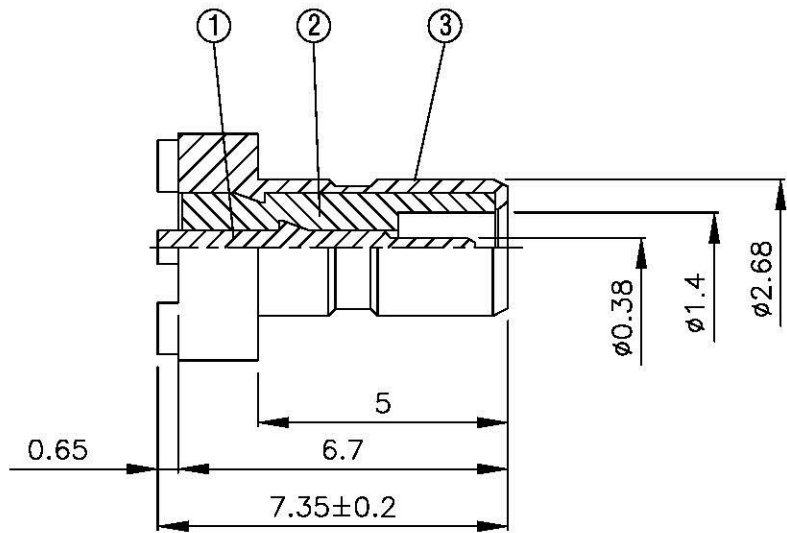
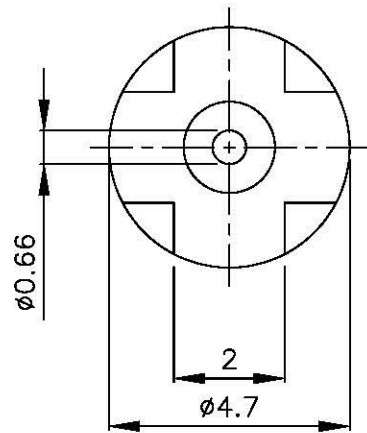
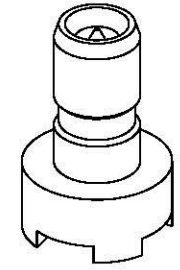


NO	DESCRIPTION	MATERIAL	Q'TY	FINISH	REMARK
1	PIN	PH.BRONZE	1	GOLD	P-SSMB0499-G
2	INSULATION	TEFLON	1	TEFLON	I-0215T
3	BODY 1	BRASS	1	GOLD	B-SSMB0452-G



**All Connectors**  
 www.allconnectors.de    info@allconnectors.de  
 Tel: 040 2 733 908500    Fax: 040 2 733 908504  
 37294 Allersbach, Germany    Kettelerstraße 75

TITLE    SSMB PLUG RECEPTACLE SURFACE MOUNT

PART NO.    SSMB 07V5-TGG

DRAWING NO.    SSMB 07V5 TGG

DRAWN    MARY    DATE    92.02.17

CHECKED    蘇姿潔    DATE

Q.A.    馮健華    DATE

APPROVAL    徐燦霖    DATE

REVISION    DATE

DIMENSIONS ARE IN MILLIMETERS

UNLESS OTHERWISE SPECIFIED TOLERANCE

0.5-5=±0.2    120-315=±1

5-30= ±0.4    315-1000=±1.6

30-120±0.6    1000-2000=±2.4

SCALE    4:1    SIZE    A

REVISION	
DESCRIPTION	ENGINEER