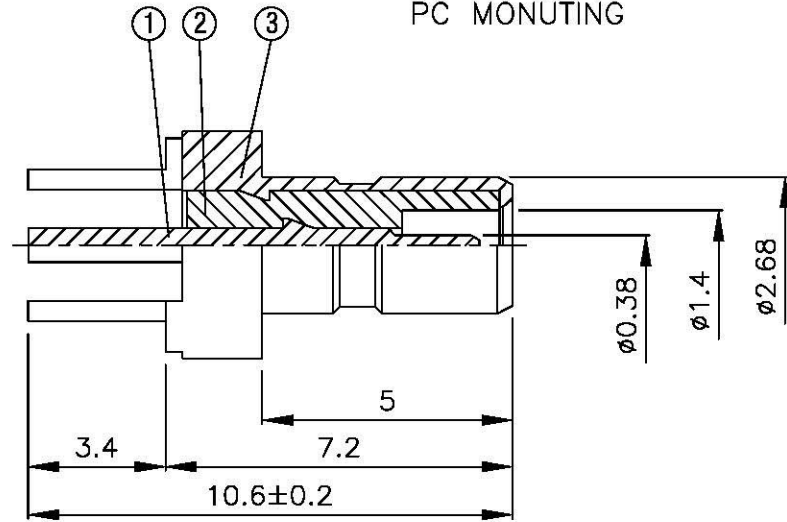
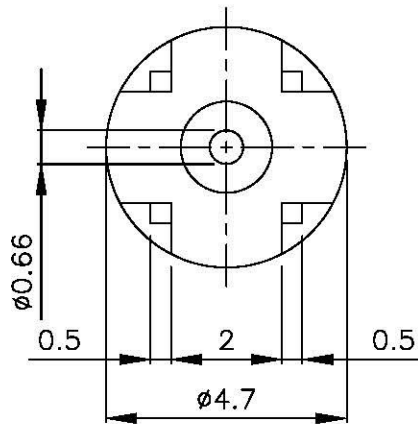
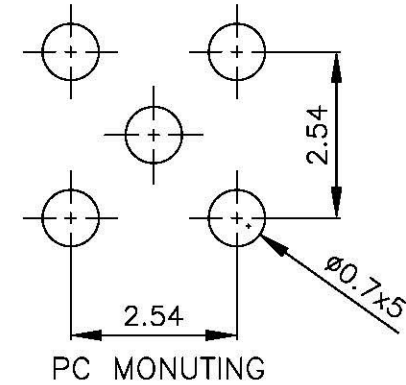


NO	DESCRIPTION	MATERIAL	Q'TY	FINISH	REMARK
1	PIN	PH.BRONZE	1	GOLD	P-SSMB0294-G
2	INSULATION	TEFLON	1	TEFLON	I-0215T
3	BODY	BRASS	1	GOLD	B-SSMB0451-G

D

C

B



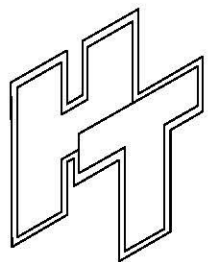
A

D

C

B

A



All Connectors
 www.allconnectors.de info@allconnectors.de
 Tel.: 0649 711 206900 Fax: 0649 711 206901
 70794 Nürting-Geislingen, Germany Kettnerstr. 25

TITLE **SSMB PLUG TYPE P.C. BOARD RECEPTACLES**

PART NO. **SSMB-07V4-TGG**

DRAWING NO. **SSMB 07V4 TGG**

DRAWN	MARY	DATE	92.02.17
CHECKED	黄巧君	DATE	96.03.01
Q.A.	蘇姿潔	DATE	
APPROVAL	徐燦霖	DATE	
REVISION		DATE	

DIMENSIONS ARE IN MILLIMETERS			
UNLESS OTHERWISE SPECIFIED TOLERANCE			
0.5-5=±0.2	120-315=±1		
5-30=±0.4	315-1000=±1.6		
30-120±0.6	1000-2000=±2.4		
SCALE	4:1	SIZE	A

REVISION	
DESCRIPTION	ENGINEER

4

3

2

1