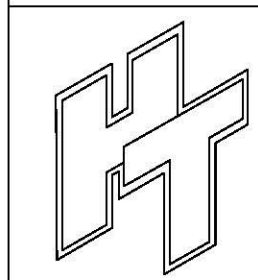
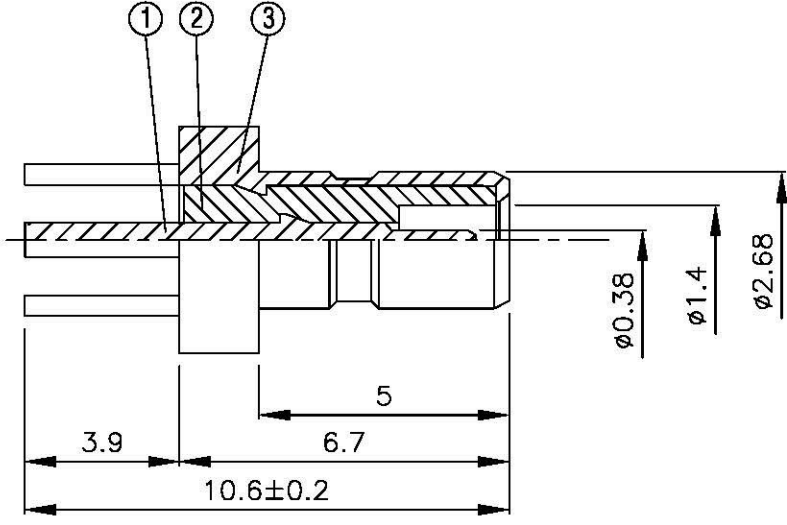
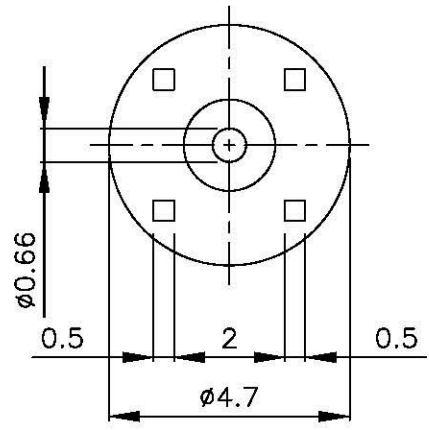
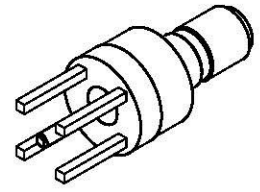
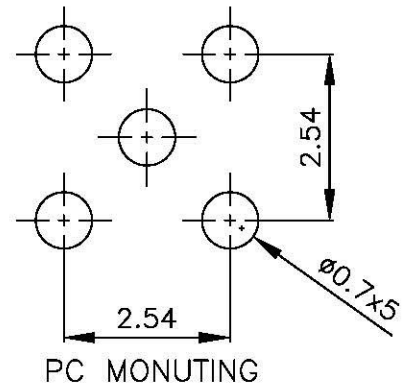


NO	DESCRIPTION	MATERIAL	Q'TY	FINISH	REMARK
1	PIN	PH.BRONZE	1	GOLD	P-SSMB0294-G
2	INSULATION	TEFLON	1	TEFLON	I-0215T
3	BODY	BRASS	1	GOLD	B-SSMB0450-G



**Allconnectors**  
 www.allconnectors.de info@allconnectors.de  
 Tel: +49 45 711 2069303 Fax: +49 45 711 2069501  
 20794 Hildesheim, Germany Kettelerstr. 42

TITLE **SSMB PLUG TYPE P.C. BOARD RECEPTACLES**

PART NO. **SSMB-07-TGG**

DRAWING NO. **SSMB 07 TGG**

DRAWN **MARY** DATE **92.02.17**

CHECKED **黄巧君** DATE **96.03.01**

Q.A. **蘇姿潔** DATE

APPROVAL **徐燦霖** DATE

REVISION DATE

DIMENSIONS ARE IN MILLIMETERS

UNLESS OTHERWISE SPECIFIED TOLERANCE

0.5-5=±0.2	120-315=±1
5-30=±0.4	315-1000=±1.6
30-120±0.6	1000-2000=±2.4

SCALE **4:1** SIZE **A**

REVISION	
DESCRIPTION	ENGINEER